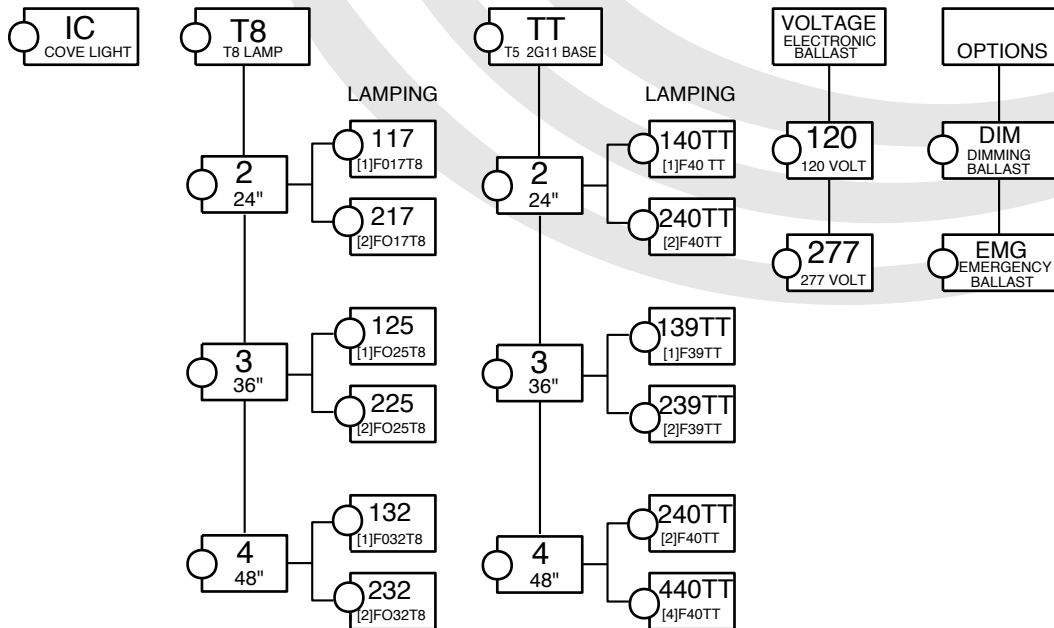


## ORDERING DATA



# Specifications

**DESCRIPTION:** Asymmetric distribution cove light. Used for illumination of ceiling or wall. Clean surfaces allow mounting by itself or be nestled into a decorative cove or soffit. This fixture allows the building to be used as a lighting instrument. High efficiency, high visual comfort, and clean appearance make it ideal for architecturally significant spaces

**HOUSING:** Precision die formed 20 gauge cold rolled steel. Welded construction for rigidity. The socket plates and ballast cover are easily accessible for servicing.

**MOUNTING:** Surface, wall or cove. Single or continuous row. Adequate knock-outs provided for all mountings and feeds.

**BALLAST:** Electronic T8, Class "P", CBM-ETL certified. Consult factory for magnetic T12 ballast

**FINISH:** All steel parts are treated with the HASCO "Perm-O-Last" multi-stage rust inhibitive process. Standard finish is a durable baked white enamel with a minimum reflectance of 90%. Consult factory for other colors and finishes. Fixture is post painted.

**LABELING:** All HASCO fixtures are U.L. approved and IBEW union made.

## PHOTOMETRICS: IC SERIES

COEFFICIENTS OF UTILIZATION, ZONAL CAVITY METHOD  
EFFECTIVE FLOOR CAVITY REFLECTANCE 0.20

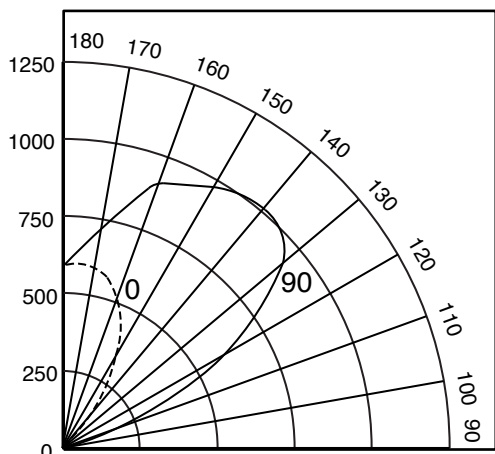
CEILING WALL	70 50 30 10	50 30 10	50 30 10
RCR			
0	84 84 84 84	49 49 49	28 28 28
1	76 73 69 67	42 41 39	24 23 23
2	69 63 58 54	37 34 32	21 20 19
3	63 55 49 45	32 29 27	18 17 16
4	57 49 42 37	29 25 23	16 15 13
5	52 43 36 32	25 22 19	14 13 11
6	48 38 32 27	22 19 16	13 11 10
7	44 34 28 23	20 17 14	11 10 8
8	41 31 24 20	18 15 12	10 8 7
9	38 28 22 18	16 13 11	9 7 6
10	36 25 19 15	15 12 9	8 7 5

**Luminaire: Formed Steel**  
**Ballast: Valmont E232P1120G01**  
**Lamping: [1] F40TT @3150 lumens**  
**Mounting: Surface / Wall**

**HASCO File # 101901/ITL**  
**Prepared by: P. Marshall**  
**Catalog number: IC-TT-140TT-120**

**Data subject to change**  
**Please consult factory for**  
**additional information.**

ISO CURVE



CANDLE POWER SUMMARY

VERT ANGLE	0	45	90
180	570	570	570
170	495	512	705
160	407	441	841
150	310	355	971
140	225	274	1040
135	195	235	1005
130	149	195	905
120	91	117	585
110	45	60	258
100	15	22	27
90	1	1	3

ZONAL LUMEN SUMMARY

ZONE	LUMENS	%LAMP	%FIXTURE
180-90	2021	65.8	100
90-0	0	0	0
180-0	2021	65.8	100