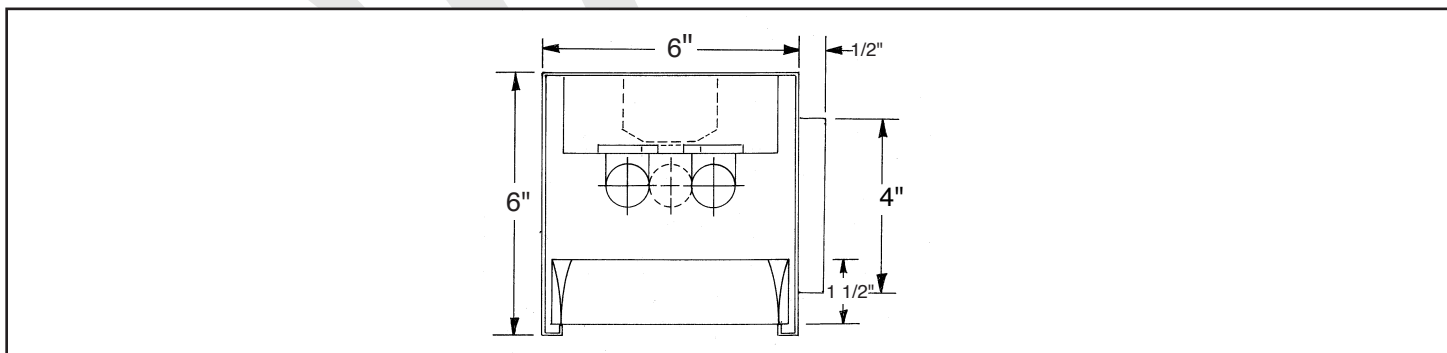
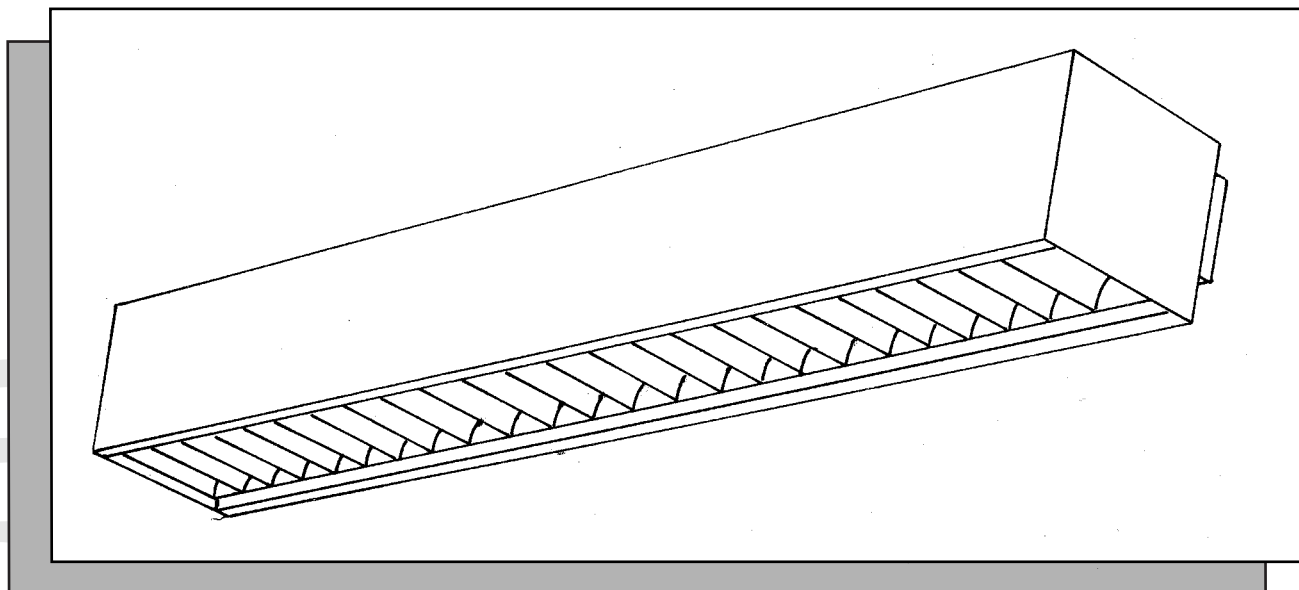
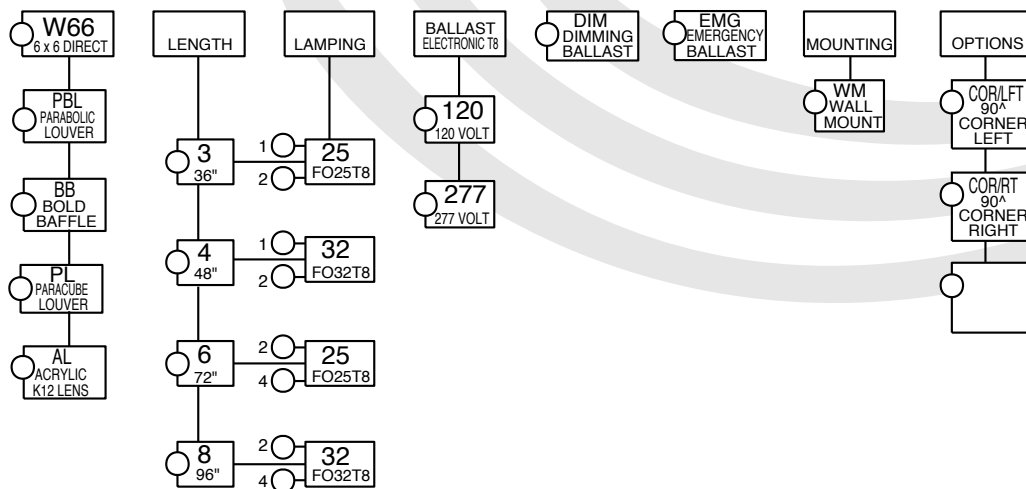


W 66 P PROFILE SERIES

Wall PARABOLIC



ORDERING DATA



Specifications

DESCRIPTION: High efficiency, high visual comfort, and attractive appearance make it ideal for architectural spaces. Rectilinear shape and choice of shielding make this a versatile lighting instrument. Common uses are for chalkboard illumination, telephone kiosks, study carrels, corridors, and retail spaces.

HOUSING: Precision die formed 20 gauge cold rolled steel. Welded construction for rigidity. The socket plates and ballast cover are easily accessible for servicing. Surface and pendant mounting available.

SHIELDING: Direct or Semi-direct has choices of low glare, low iridescence, high efficiency semi specular parabolic louver, champagne gold, paracube louver, bold louver, or prismatic lens. Consult factory for options not listed.

BALLAST: Electronic T8 or Twin Tube 40w, Class "P", CBM-ETL certified. Consult factory for magnetic T12 ballast

FINISH: All steel parts are treated with the HASCO "Perm-O-Last" multi-stage rust inhibitive process. Standard finish is a durable baked white enamel with a minimum reflectance of 90%. Consult factory for other colors and finishes. Fixture is post painted.

LABELING: All HASCO fixtures are U.L. approved and IBEW union made.

PHOTOMETRICS: W 66 P PROFILE SERIES Wall/PARabolic COEFFICIENTS OF UTILIZATION, ZONAL CAVITY METHOD EFFECTIVE FLOOR CAVITY REFLECTANCE 0.20

MULTIPLIERS
L acrylic louver
1 lamp x1.10

PBC paracube louver
1 lamp x .66
2 lamp x .55

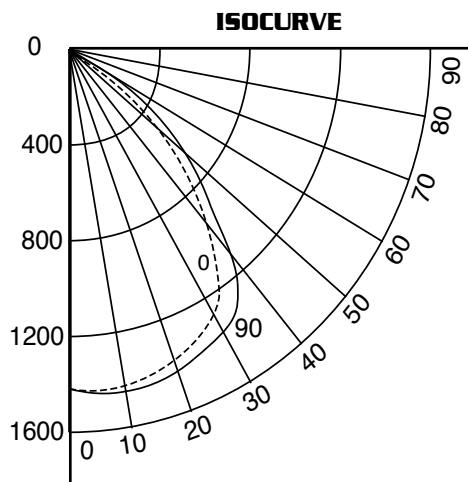
B bold louver
1 lamp .81
2 lamp .71

CEILING WALL RCR	80				50			30		
	70	50	30	10	50	30	10	50	30	10
0										
1	62	57	55	53	48	48	45	44	43	43
2	54	51	47	44	44	42	40	40	39	37
3	52	45	42	41	40	37	35	37	35	33
4	46	41	37	34	37	33	31	33	31	29
5	43	37	33	29	34	29	27	30	28	25
6	40	33	29	26	30	26	24	28	25	23
7	36	30	25	22	27	24	21	25	22	20
8	33	26	23	20	26	21	19	23	20	18
9	32	25	22	19	22	21	16	20	18	16
10	30	23	19	17	20	17	15	19	16	14

Luminaire: Formed Steel
Ballast: Valmont E232P1120G01
Lamping: [2] F32T8 @2900 lumens
Mounting: Pendant

HASCO File # 101865/ITL
Prepared by: P. Marshall
Catalog number: W 66P-4-232-120

Data subject to change
Please consult factory for
additional information.



CANDLE POWER SUMMARY

VERT ANGLE	0	90
0	1410	1410
10	1412	1496
20	1385	1425
30	1256	1374
40	950	1102
45	755	884
50	672	635
60	216	273
70	56	132
80	26	62
90	0	0

ZONAL LUMEN SUMMARY

ZONE	LUMENS	%LAMP	%FIXTURE
180-90	280	4.88	11.45
90-0	2436	41.5	90.20