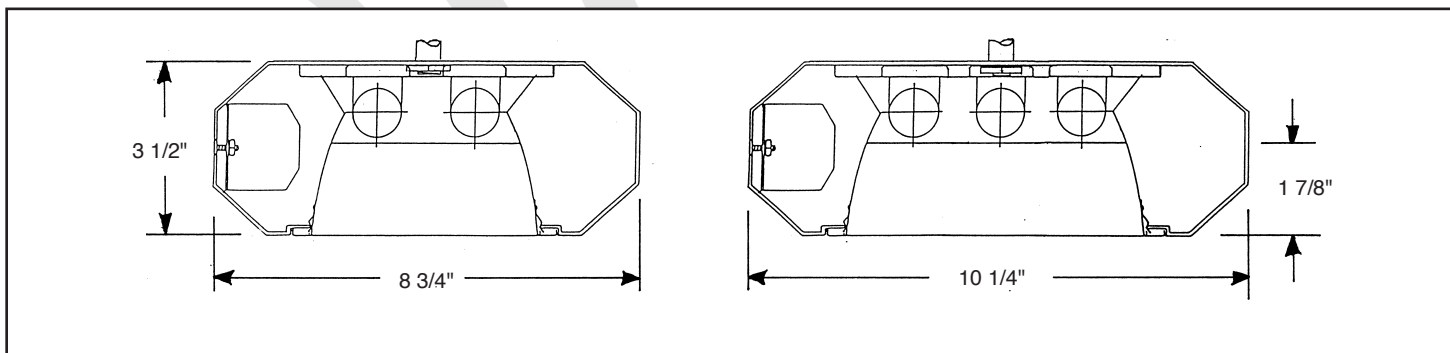
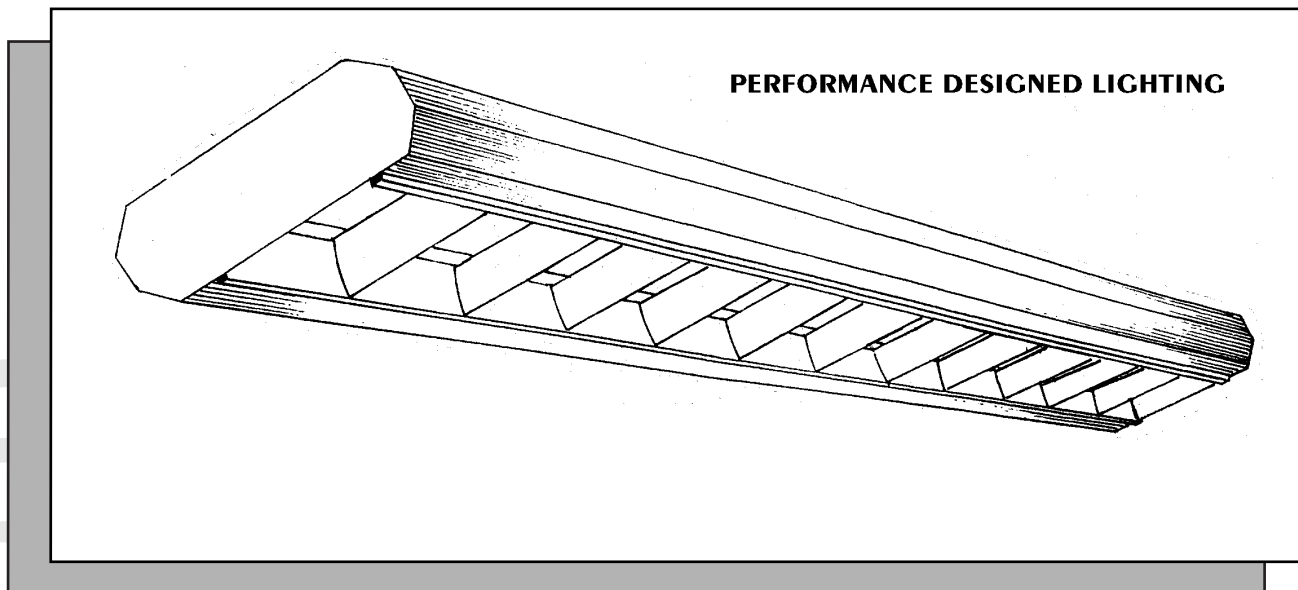
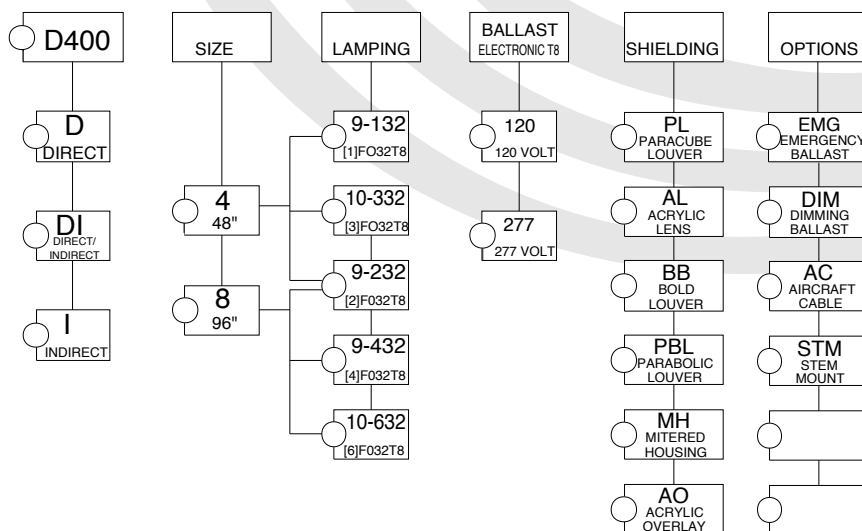


# PARABOLIC D 400 SERIES

PENDANT MOUNTED DIRECT/INDIRECT



## ORDERING DATA



# Specifications

**DESCRIPTION:** Surface or pendant mount direct, direct/indirect, or indirect lighting. High efficiency, high visual comfort, and attractive appearance make it ideal for commercial office, retail and educational applications.

**HOUSING:** 20 Gauge precision die formed cold rolled steel, electronically welded. Snap in louver allows easy removal and completely conceals ballast and wiring compartment.

**SHIELDING:** High efficiency low iridescence, semi-specular anodized aluminum parabolic louver. Blades are 1-7/8" deep and spaced 4" on center. Louver snaps in for easy removal for relamping and cleaning. Consult factory for options not listed.

**BALLAST:** Electronic TB, Class "P" CBM-ETL certified.

**FINISH:** All steel parts are treated with the HASCO "Perm-O-Last" multi-stage rust inhibitive process. Standard finish is a durable baked white enamel with a minimum reflectance of 90%. Consult factory for other colors and finishes. Fixture is post painted.

**LABELS:** All HASCO units are U.L. approved and I.B.E.W. Union Made.

## PHOTOMETRICS: PARABOLIC D 400 SERIES PENDANT MOUNTED DIRECT/INDIRECT COEFFICIENTS OF UTILIZATION, ZONAL CAVITY METHOD EFFECTIVE FLOOR CAVITY REFLECTANCE 0.20

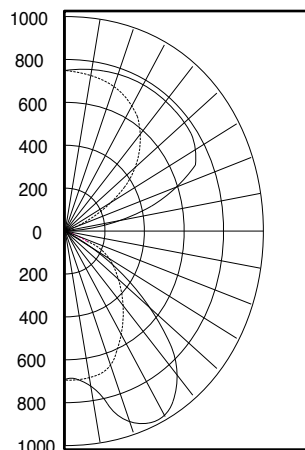
CEILING WALL RCR		80			70			50			30			10			0		
		70	50	30	10	70	50	30	10	50	30	10	50	30	10	0			
0	0	95	95	95	95	87	87	87	87	71	71	71	57	57	57	44	44	44	38
1	1	88	84	81	78	80	77	75	72	64	62	60	51	50	49	40	39	39	34
2	2	81	75	70	66	74	69	65	61	57	54	52	47	45	43	37	35	34	30
3	3	74	67	61	56	68	61	56	52	51	48	45	42	39	37	33	32	30	27
4	4	68	59	53	48	62	55	49	45	46	42	39	38	35	33	30	28	27	23
5	5	63	53	46	41	57	49	43	38	41	37	33	34	31	28	27	25	23	20
6	6	58	47	40	36	53	44	38	33	37	32	29	31	27	25	25	22	20	18
7	7	53	42	36	31	48	39	33	29	33	29	25	27	24	22	22	20	18	15
8	8	49	38	31	27	45	35	29	25	30	25	22	25	21	19	20	17	15	13
9	9	45	34	28	23	41	32	26	22	27	22	19	22	19	16	18	15	13	11
10	10	42	31	25	20	38	29	23	19	24	20	17	20	17	14	16	14	12	10

Data subject to change  
Please consult factory for  
additional information.

HASCO File #D400232814  
Prepared by: P. Marshall  
Catalog number: D 400-9-232

Luminaire: Formed steel, parabolic louver  
Ballast: Valmont E232P1120G01  
Lamping: [2] F032T8 @2950 lumens  
Mounting: suspended

### ISOCURVE



### CANDLEPOWER SUMMARY

ANGLE	0	22.5	45	67.5	90	OUTPUT LUMENS
0	724	724	724	724	724	
5	725	726	734	734	746	71
15	693	731	805	805	893	228
25	619	721	892	892	1075	403
35	532	695	926	926	943	517
45	416	630	708	708	734	506
55	265	453	427	427	350	346
65	67	117	98	98	33	81
75	10	11	12	12	11	13
85	8	8	8	8	8	9
90	0	0	0	0	0	
95	19	80	74	56	50	84
105	119	287	406	455	451	372
115	246	366	589	693	708	525
125	376	466	617	758	814	546
135	494	564	655	739	779	433
145	597	641	692	746	769	333
155	669	691	722	752	755	209
165	718	724	740	752	758	71
175	745	744	746	743	747	
180	745	745	745	745	745	

### LUMEN SUMMARY

ZONE	LUMENS	%LAMP	%FIXTURE
0-30	709	12.1	13.4
0-40	1219	21	23.1
0-60	2072	34.6	39.2
0-90	2166	37.9	44.8
90-120	982	16.5	18.3
90-130	1525	26.0	28.9
90-150	2463	42.3	26.7
90-180	3073	53.1	58.4
0-180	5253	89.6	100