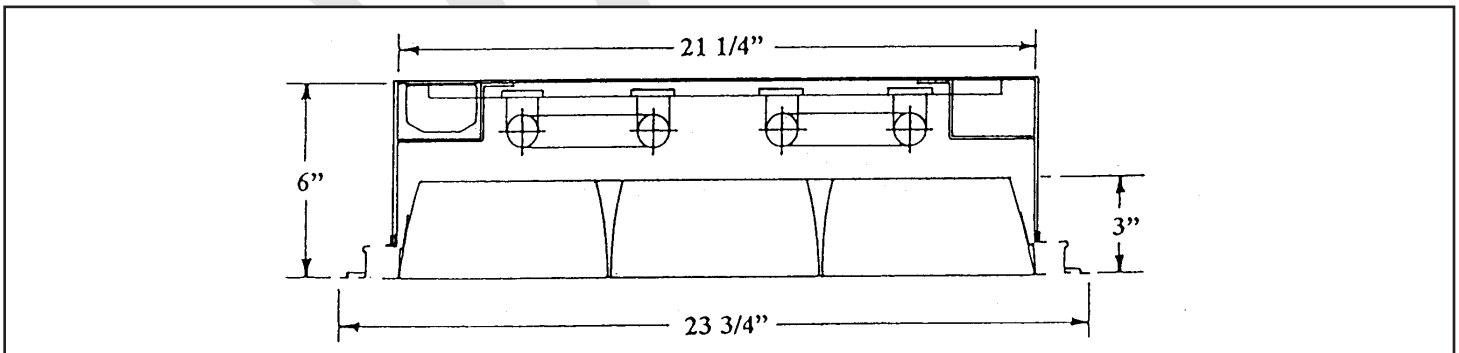
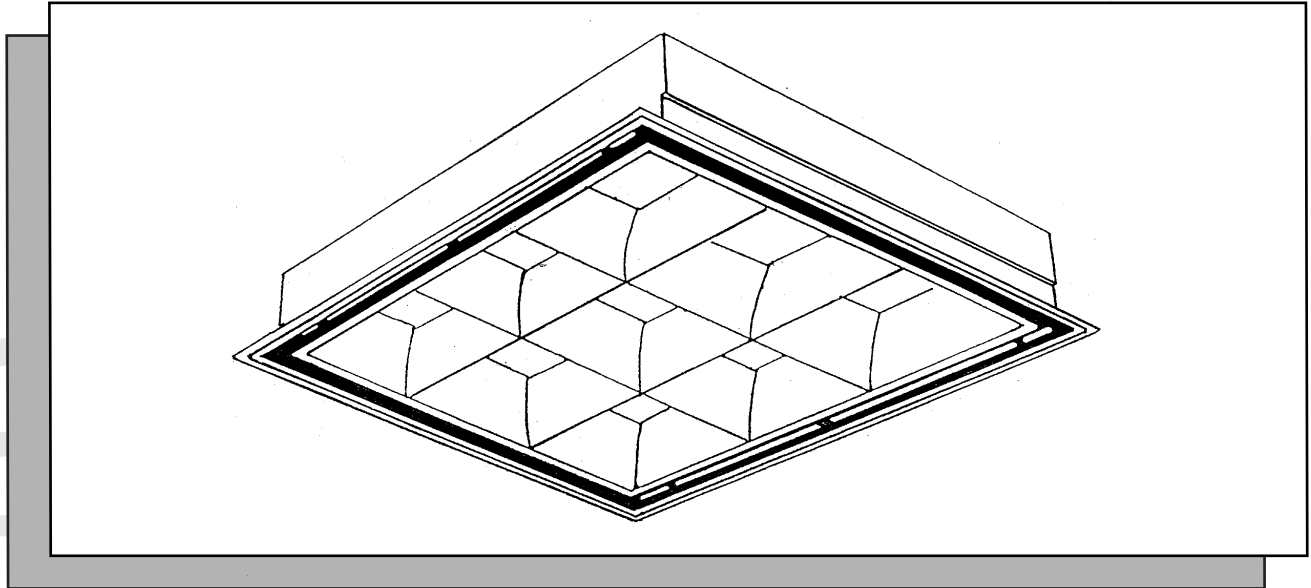
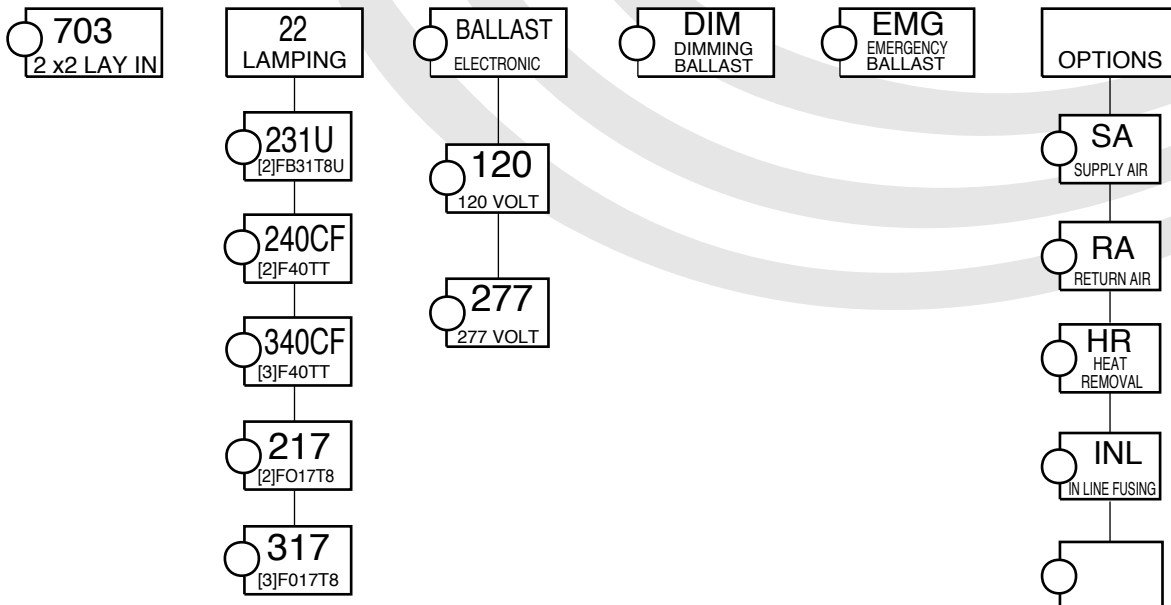


703 PARABOLIC 2x2 SERIES

RECESSED 3" DEEP 9 CELL PARABOLIC



ORDERING DATA



Specifications

DESCRIPTION: Lay in recessed high efficiency low-brightness recessed luminaire. Provides high visual comfort and performance by glare control. Ideal for office, educational and retail applications. Fixture has no exposed hardware.

CONSTRUCTION: Fixture housing precision die formed from 20 Gauge cold rolled steel. Snap on wireway cover completely conceals ballast and wiring compartment and is easily removable. Shielding assembly is supported by concealed hinges and snap action latches. Door assembly opens from either side.

LOUVER: Parabolic louver is low iridescence, semi-specular aluminum. White, full specular, or gold specular is optional. Consult factory for options not listed.

BALLAST: Electronic T8, Class "P", CBM-ETL certified. Consult factory for magnetic T12 ballast

LABELS: IBEW Union Made. Listed by Underwriters Laboratories. Suitable for dry location and air handling use

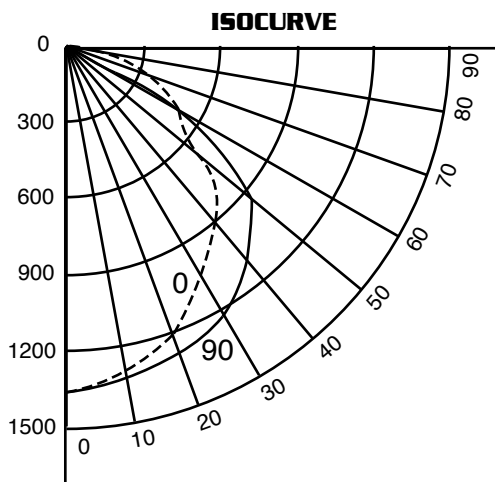
PHOTOMETRICS: #703 3" PARABOLIC 2X2 COEFFICIENTS OF UTILIZATION, ZONAL CAVITY METHOD EFFECTIVE FLOOR CAVITY REFLECTANCE 0.20

CEILING WALL	80			70			50			10			0
RCR	70	50	30	70	50	30	50	30	10	50	30	10	0
0													
1	62	60	58	60	58	57	60	58	57	40	47	45	65
2	58	54	51	56	53	51	56	53	51	44	41	38	58
3	54	49	46	52	48	45	52	48	45	39	33	30	51
4	50	44	40	48	44	40	48	44	40	34	30	27	45
5	46	40	36	45	39	35	45	39	35	20	26	23	39
6	42	36	32	41	35	31	41	35	31	26	22	19	34
7	39	32	28	38	32	28	38	32	28	23	19	15	30
8	36	29	25	35	29	24	35	29	24	19	15	12	26
9	33	26	22	32	26	21	32	26	21	17	13	10	22
10	31	24	19	30	23	19	30	23	19	15	15	14	20

Luminaire: Formed Steel, Parabolic Louver
Ballast: Valmont E232P1120601
Lamping: [2] FB31T8U @2950 lumens
Mounting: Recessed

HASCO File #703332522
Prepared by: P. Marshall
Catalog number: 703-22-231U

Data subject to change
Please consult factory for
additional information.



CANDLE POWER SUMMARY

VERT ANGLE	0	45	90
0	1343	1343	1343
10	1294	1303	1339
20	1200	1226	1307
30	1077	1134	1260
40	1002	1005	1118
45	825	902	1103
50	721	812	964
60	471	423	225
70	59	30	20
80	5	6	3
90	0	0	0

ZONAL LUMEN SUMMARY

ZONE	LUMENS	%LAMP	%FIXTURE
0-30	1046	19.20	33.05
0-40	1732	31.66	54.68
0-60	3028	58.91	92.20
0-90	3182	57.23	100
0-180	3182	57.23	100