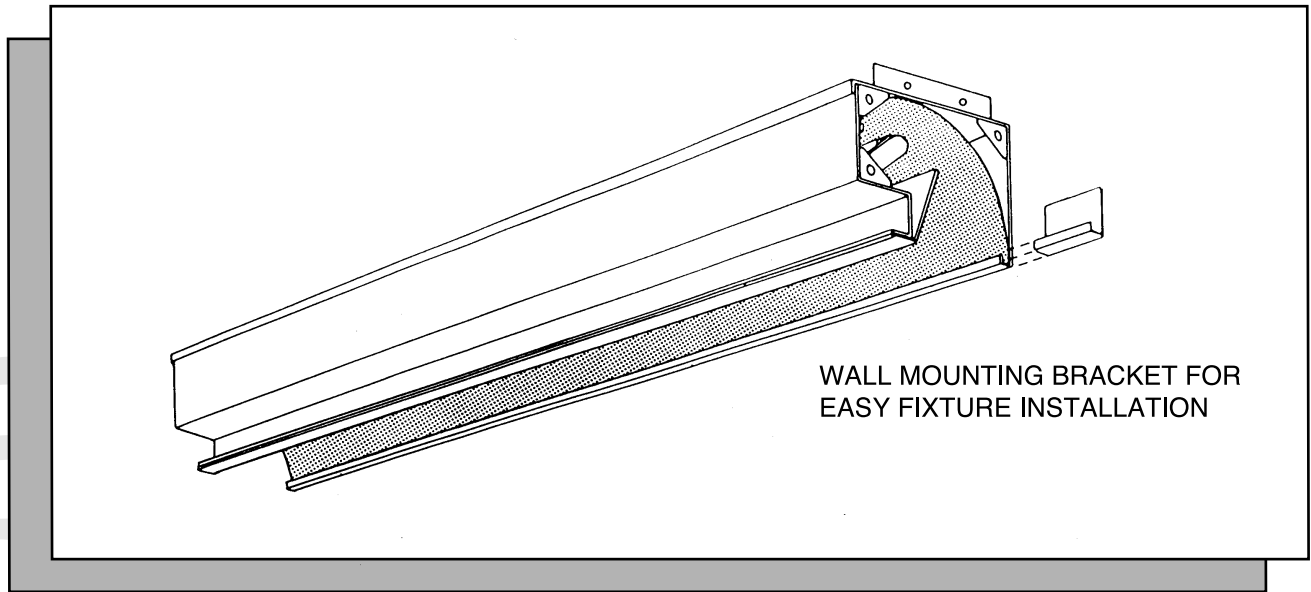
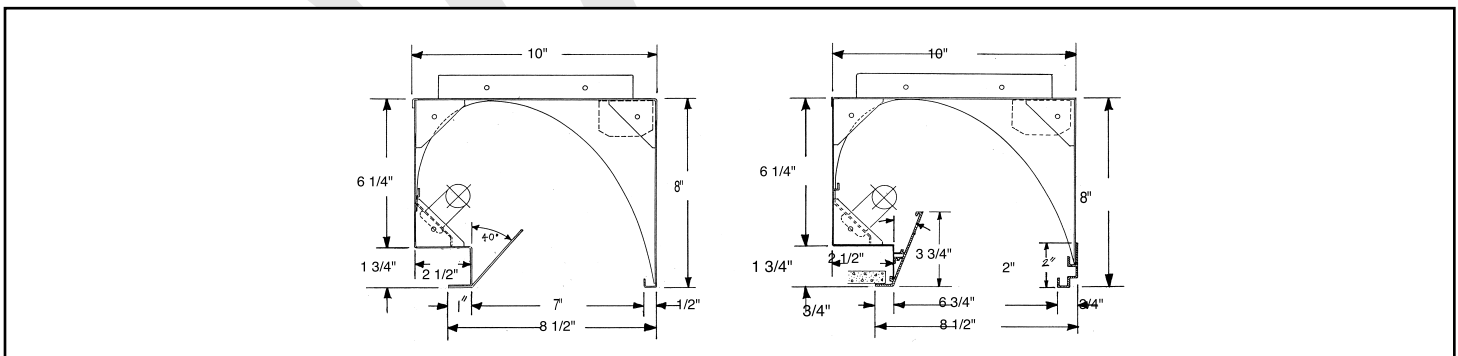


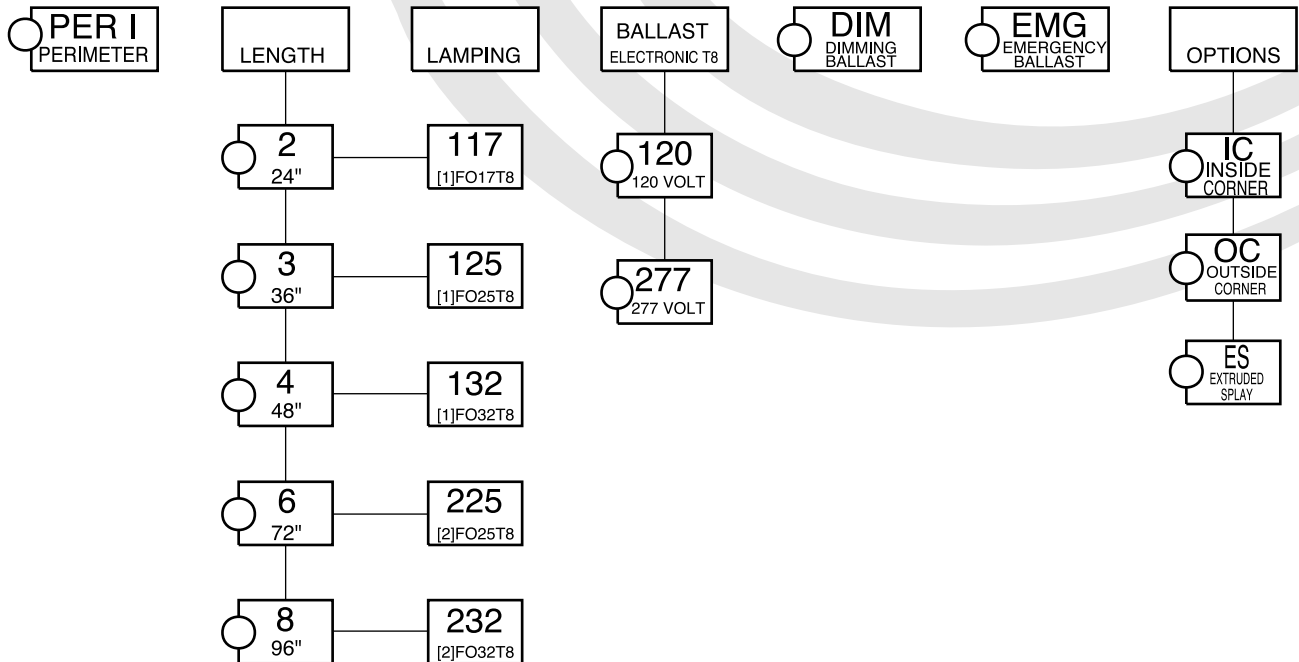
PER I PERIMETER ILLUMINATOR SERIES



WALL MOUNTING BRACKET FOR EASY FIXTURE INSTALLATION



ORDERING DATA



Specifications

DESCRIPTION: Architectural grade luminaire gives simultaneous illumination of vertical and horizontal surfaces. Fixture gives high visual comfort and attractive appearance. Typical applications are corridors, classrooms, and restrooms.

CONSTRUCTION: Housing and all internal supports and brackets are precision die formed 20 Gauge CRS. The socket plates are easily accessible for servicing. The reflector ballast cover is easily removable.

REFLECTOR: Full specular anodized aluminum.

MOUNTING: 3/8" perimeter flanges for recessed mounting into a 1" T-bar grid ceiling. Continuous row mounting made easy.

BALLAST: T8 Electronic, Class "P", CBM-ETL certified.

FINISH: All steel parts are treated with the HASCO "Perm-O-Last" multi-stage rust inhibitive process. Standard finish is a durable baked white enamel with a minimum reflectance of 90%. Consult factory for other colors and finishes. Fixture is post painted.

LABELING: All HASCO fixtures are U.L. listed and are I.B.E.W. Union Made.

PHOTOMETRICS: PER I

COEFFICIENTS OF UTILIZATION, ZONAL CAVITY METHOD
EFFECTIVE FLOOR CAVITY REFLECTANCE 0.20

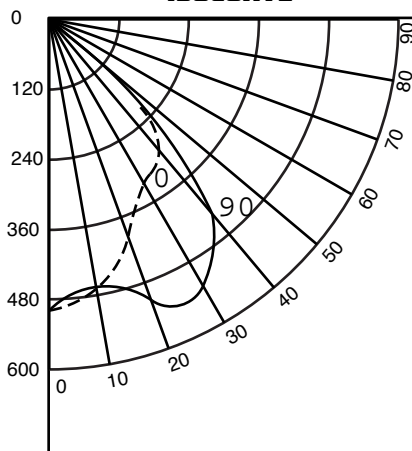
CEILING WALL RCR	80			70			50		
	70	50	30	70	50	30	50	30	10
0									
1	56	54	53	55	53	52	51	50	49
2	52	49	46	51	48	45	46	44	42
3	48	44	41	47	43	40	42	39	37
4	45	40	36	44	39	36	38	35	37
5	41	36	32	30	35	31	34	31	28
6	38	32	28	37	32	28	31	27	25
7	35	29	25	34	29	22	28	24	22
8	33	26	22	32	26	22	25	22	19
9	30	24	20	29	23	19	23	19	17
10	28	21	18	27	21	17	21	17	15

Luminaire: Formed Steel
Ballast: Valmont E132PI120601
Lamping: [1] F032T8 @2950 lumens
Mounting: Recessed

HASCO File #ITL/101910
Prepared by: P. Marshall
Catalog number: PERI-132-120

Data subject to change
Please consult factory for
additional information.

ISOCURVE



CANDLE POWER SUMMARY

VERT ANGLE	0	45	90
0	488	488	488
10	476	471	471
20	427	445	509
30	348	449	551
40	314	427	437
45	255	419	329
50	174	230	30
60	97	24	19
70	36	10	10
80	9	3	3
90	0	0	0

ZONAL LUMEN SUMMARY

ZONE	LUMENS	%LAMP	%FIXTURE
0-30	381	13.5	37.4
0-40	625	21.8	60.8
0-60	933	32.6	91.3
0-90	1023	38	100
0-180	1023	38	100