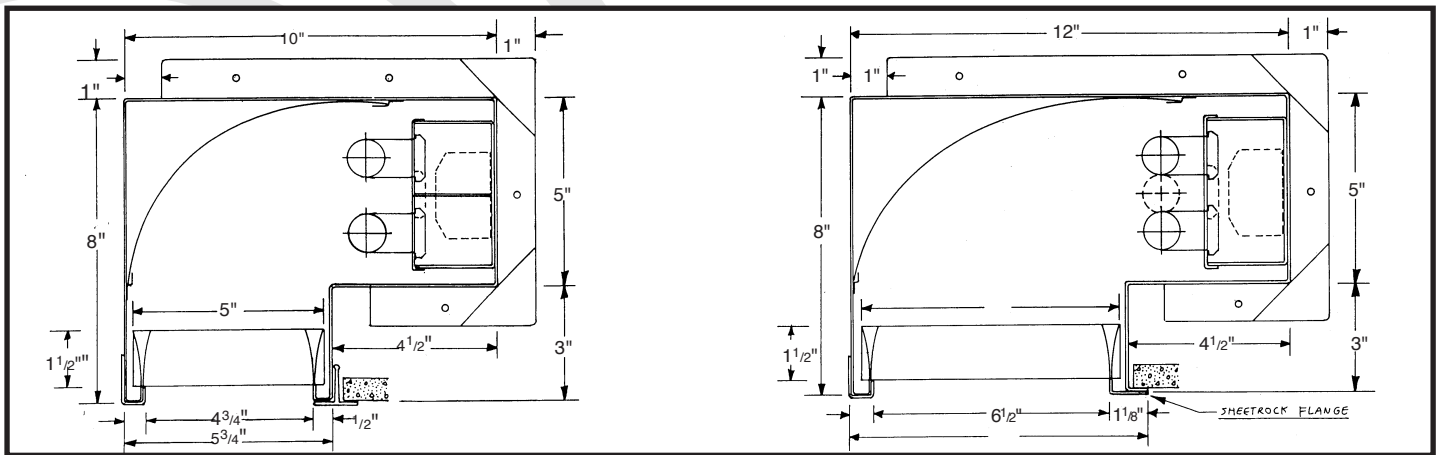
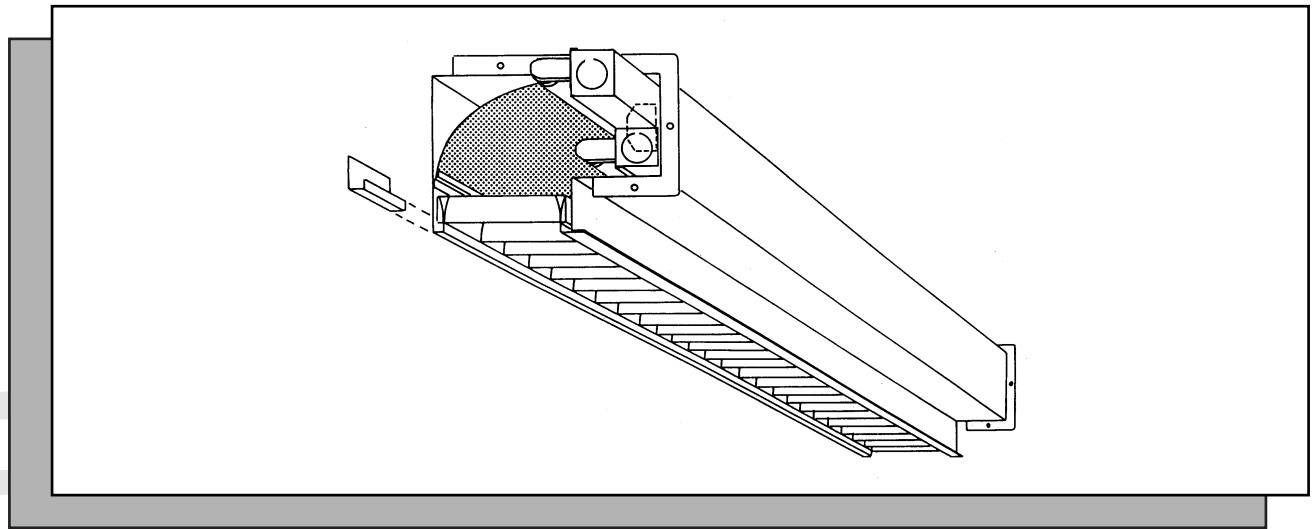
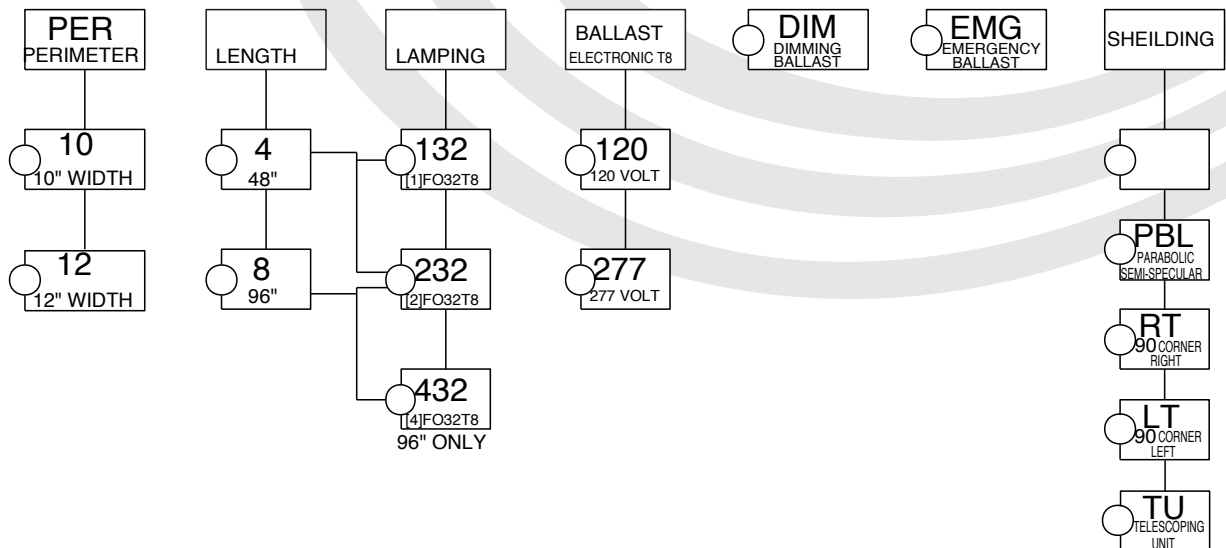


# PER 10/12 SERIES

## RECESSED PERIMETER SYSTEM



### ORDERING DATA



# Specifications

**DESCRIPTION:** Architectural grade luminaire gives simultaneous illumination of vertical and horizontal surfaces. Fixture gives high visual comfort and attractive appearance. Typical applications are corridors, classrooms, and restrooms.

**HOUSING:** Housing and all internal supports and brackets are precision die formed 20 Gauge CRS. The socket plates are easily accessible for servicing. The reflector ballast cover is easily removable.

**DIFFUSER:** Standard diffuser is a prismatic acrylic lens, K12 pattern. See options for louvers.

**MOUNTING:** 3/8" perimeter flanges for recessed mounting into a 1" T-bar grid ceiling. Continuous row mounting made easy.

**BALLAST:** T8 Electronic, Class "P", CBM-ETL certified.

**FINISH:** Standard baked white enamel; 87% reflectivity.

**LABELING;** All HASCO fixtures are U.L. listed and are I.B.E.W. Union Made.

## PHOTOMETRICS: PER SERIES

COEFFICIENTS OF UTILIZATION, ZONAL CAVITY METHOD

EFFECTIVE FLOOR CAVITY REFLECTANCE 0.20

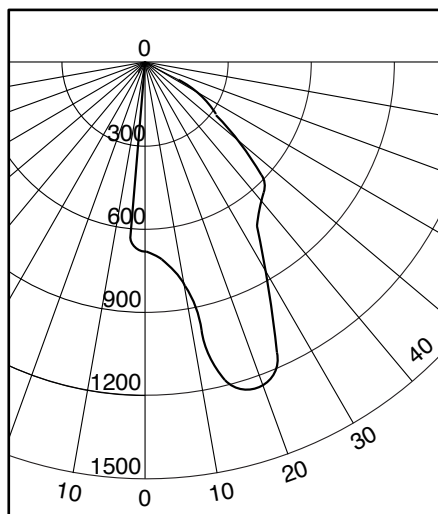
CEILING WALL RCR	80			70			50			30		
	70	50	30	70	50	30	50	30	10	50	30	10
0												
1	34	32	31	33	31	30	30	29	29	51	55	55
2	30	29	27	30	28	27	27	26	26	55	52	49
3	25	23	23	24	23	23	23	23	23	50	46	43
4	23	21	21	21	20	20	20	20	20	45	41	38
5	22	18	18	20	18	18	18	18	18	41	37	33
6	20	17	17	19	17	17	17	17	17	37	33	29
7	18	15	15	16	15	15	15	15	15	33	29	26
8	16	14	14	15	14	14	14	14	14	30	26	22
9	15	12	12	14	12	12	12	12	12	27	23	20
10	13	11	11	12	11	11	11	11	11	25	25	24

Data subject to change  
Please consult factory  
for additional information.

HASCO File #PER232311  
Prepared by: P. Marshall  
Catalog number:PER-12-232

Luminaire: Formed Steel  
Ballast: Valmont E232P1120601  
Lamping: [2] F032T8 @2950 lumens  
Mounting: recessed

ISOCURVE



CANDLE POWER SUMMARY

VERT ANGLE	90
350	0
0	703
10	805
20	1254
30	855
40	702
45	610
50	450
60	211
70	153
80	30
90	0

ZONAL LUMEN SUMMARY

ZONE	LUMENS	%LAMP	%FIXTURE
0-30	745	12.82	20.15
0-40	1325	23.25	36.11
0-60	2810	48.31	76.12
0-90	3650	64.13	100
0-180	3690	64.13	100