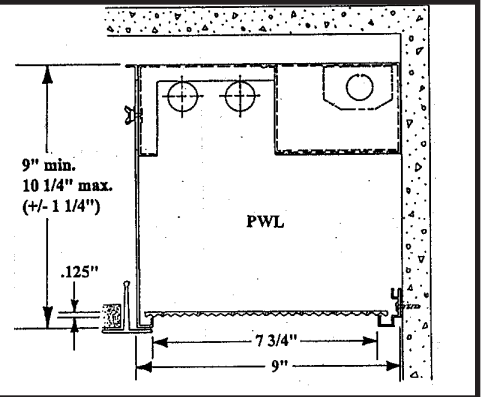
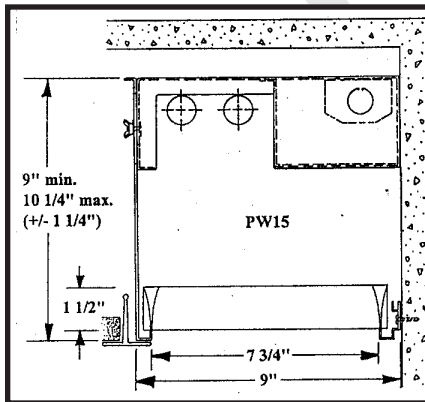
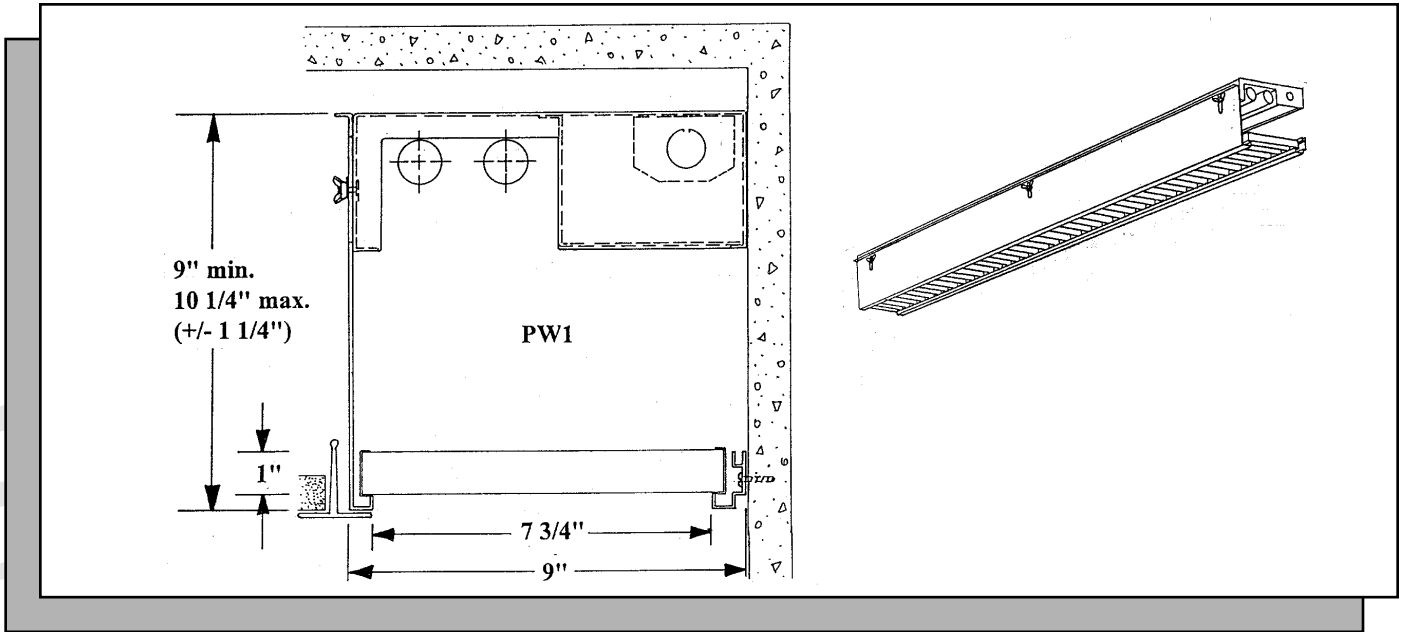
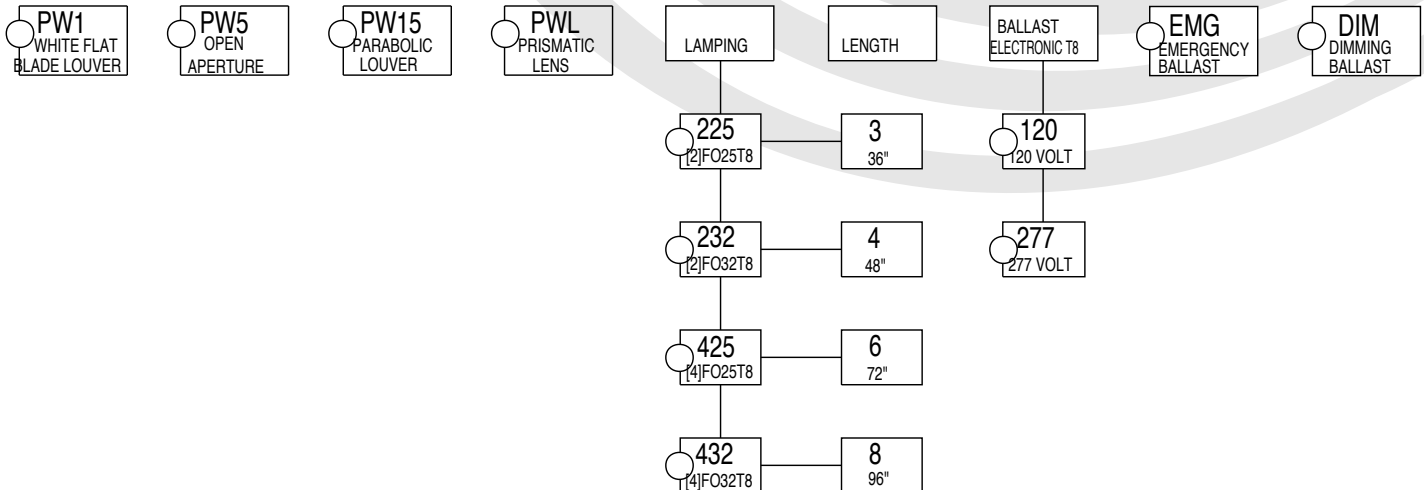


# PERIMETER RECESSED WALL SERIES



## ORDERING DATA



# Specifications

**DESCRIPTION:** Perimeter recessed lighting design for simultaneous illumination of the vertical surface and horizontal plane evenly. Hallways, restrooms, and perimeter spaces are typical uses.

**HOUSING:** Fixture is fabricated of 20 Gauge cold rolled steel and welded for rigidity. The socket plates are easily accessible for servicing. The reflector ballast cover is easily removable.

**MOUNTING:** Adjustable depth, recessed "lay-in" type, adjustable sliding panel, and separate wall bracket. Continuous row mounting is made easy.

**SHIELDING:** Clear prismatic lens, specular parabolic louvers, or gloss white flat bladed. Consult factory for options not listed.

**BALLAST:** Electronic TB, Class "P", CBM-ETL certified. Consult factory for magnetic T12 ballast

**FINISH:** All steel parts are treated with the HASCO "Perm-O-Last" multi-stage rust inhibitive process. Standard finish is a durable baked white enamel with a minimum reflectance of 90%. Consult factory for other colors and finishes. Fixture is post painted.

**LABELING:** All HASCO fixtures are U.L. approved and IBEW union made.

## PHOTOMETRICS: PERIMETER RECESSED WALL SERIES

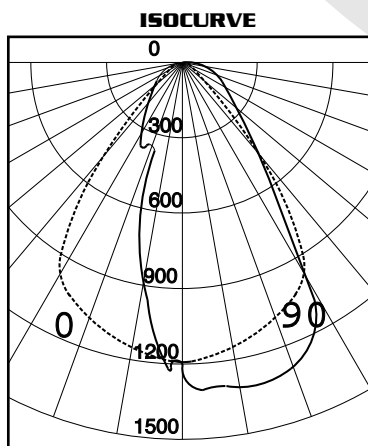
COEFFICIENTS OF UTILIZATION, ZONAL CAVITY METHOD  
EFFECTIVE FLOOR CAVITY REFLECTANCE 0.20

CEILING WALL	80				70				50			30			10			0
	70	50	30	10	70	50	30	10	50	30	10	50	30	10	50	30	10	0
RCR																		
0	54	54	54	54	53	53	53	53	50	50	50	48	48	48	46	46	46	45
1	50	48	46	45	49	47	45	44	45	44	43	43	42	41	42	41	40	39
2	46	42	40	37	45	42	39	37	40	38	36	38	37	35	37	36	34	33
3	42	38	34	31	41	37	34	31	36	33	31	34	32	30	33	31	30	29
4	39	34	30	27	38	33	30	27	32	29	26	31	28	26	30	28	26	25
5	36	30	26	24	35	30	26	23	29	26	23	28	25	23	27	25	23	22
6	33	27	23	21	32	27	23	21	26	23	20	25	22	20	25	22	20	19
7	31	25	19	17	30	25	21	18	24	21	18	23	20	18	23	20	18	17
8	29	23	19	17	28	22	19	16	22	19	16	21	18	16	21	18	16	15
9	27	21	17	15	26	21	17	15	20	17	15	20	17	15	19	17	15	14
10	25	19	16	14	25	19	16	14	19	16	14	18	15	13	18	15	13	13

Data subject to change  
Please consult factory  
for additional information.

HASCO File #PW232113  
Prepared by: P. Marshall  
Catalog number:PW-15-232-4

Luminaire: Formed steel  
Ballast: Valmont E232P1120601  
Lamping: [2] F032T8 @2950 lumens  
Mounting: recessed



VERT ANGLE	0	90
0	1195	1195
10	1120	1325
20	1050	1285
30	1000	1002
40	465	523
45	401	275
50	155	265
60	125	156
70	95	101
80	51	45
90	0	0
350	1158	902
340	1070	375
335	1032	401
330	1003	300
320	480	204
310	153	102
300	75	85
290	62	58
280	45	46
270	0	0