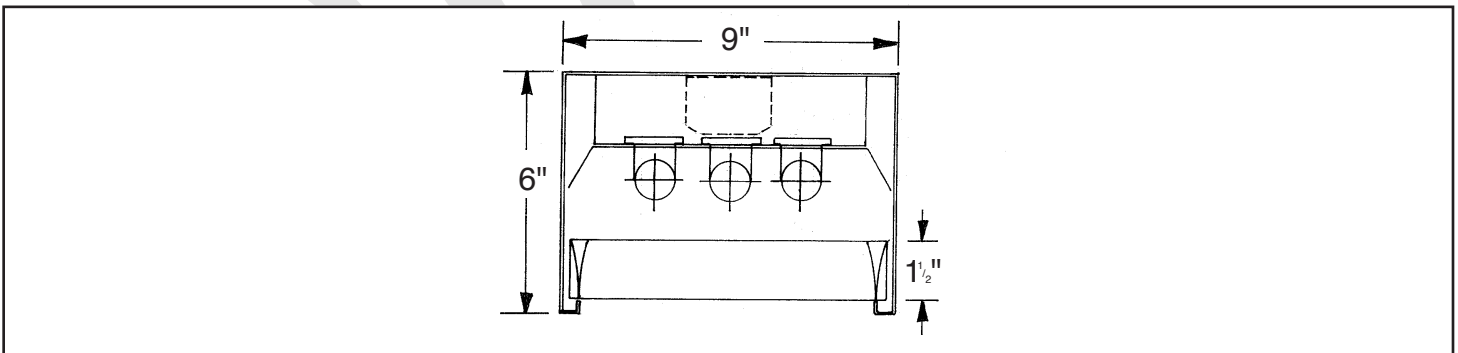
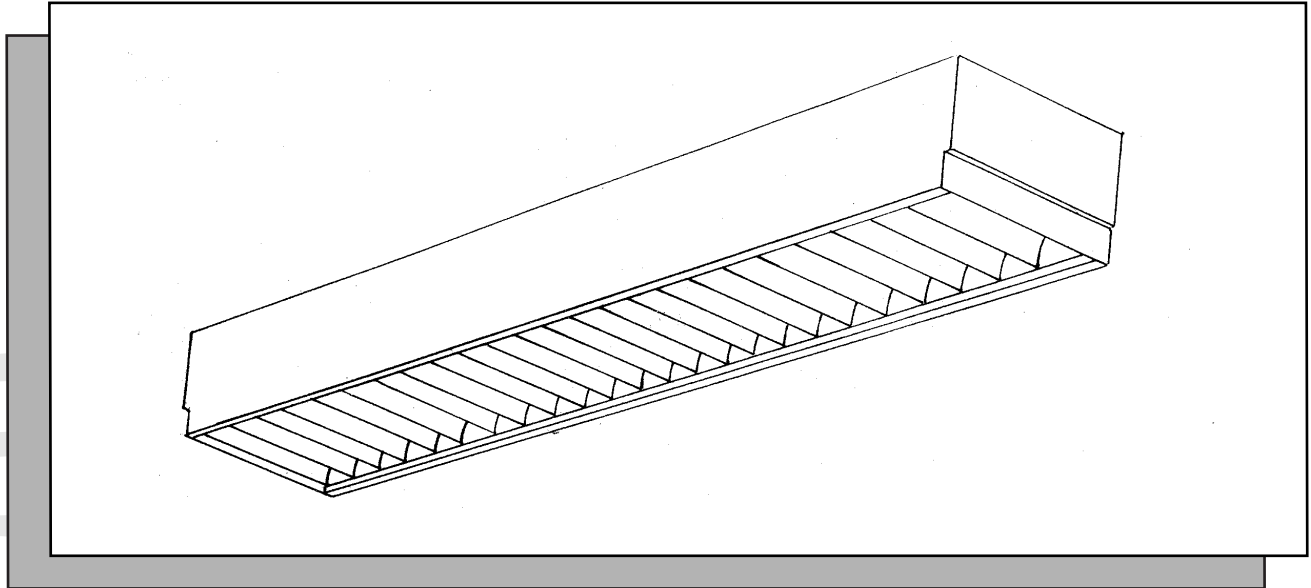
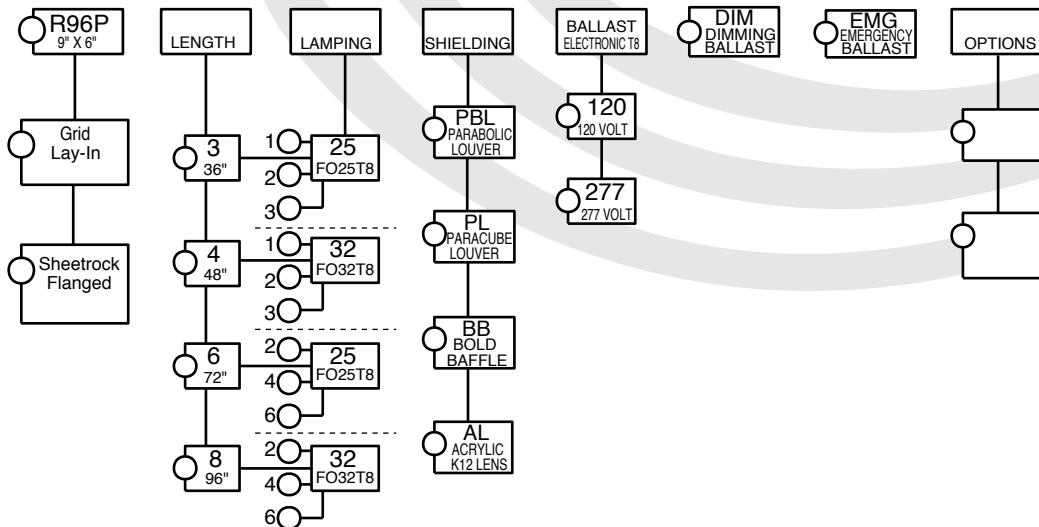


R 96P RECESSED PARABOLIC SERIES

CONCEALED GRID / EXPOSED GRID CEILING



ORDERING DATA



CONSULT FACTORY FOR T5 TWIN TUBE LAMPS

Specifications

DESCRIPTION: High efficiency, high visual comfort, and attractive appearance make it ideal for architectural spaces. Typical uses are education, institutional, transportation terminals, and other high traffic areas.

HOUSING: Precision die formed 20 gauge cold rolled steel. Welded construction for rigidity. The socket plates and ballast cover are easily accessible for servicing.

SHIELDING: Direct or Semi-direct has choices of low glare, low iridescence, high efficiency semi specular parabolic louver, champagne gold, paracube louver, bold louver, or prismatic lens. Consult factory for options not listed.

BALLAST: Electronic T8 or Twin Tube 40w, Class "P", CBM-ETL certified. Consult factory for magnetic T12 ballast

FINISH: All steel parts are treated with the HASCO "Perm-O-Last" multi-stage rust inhibitive process. Standard finish is a durable baked white enamel with a minimum reflectance of 90%. Consult factory for other colors and finishes. Fixture is post painted.

LABELING: All HASCO fixtures are U.L. approved and IBEW union made.

PHOTOMETRICS: R 96P Lay-In/Parabolic COEFFICIENTS OF UTILIZATION, ZONAL CAVITY METHOD EFFECTIVE FLOOR CAVITY REFLECTANCE 0.20

MULTIPLIERS
L acrylic louver
1 lamp x1.10

PBC paracube louver
1 lamp x .66
2 lamp x .55

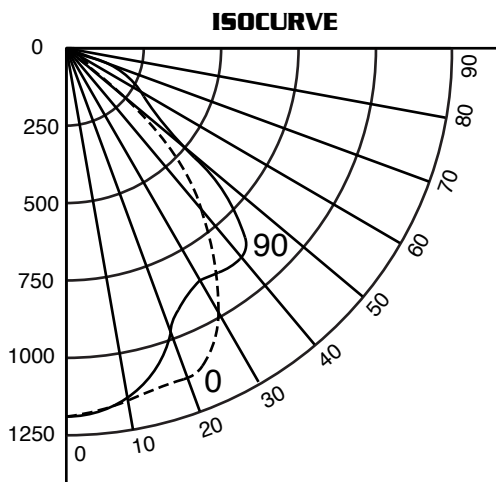
B bold louver
1 lamp .81
2 lamp .71

CEILING WALL	80				50			30		
	70	50	30	10	50	30	10	50	30	10
RCR										
0										
1	51	51	51	51	43	43	43	40	40	40
2	45	43	42	41	39	38	38	37	36	36
3	39	35	33	31	33	34	33	34	33	32
4	36	32	29	27	30	28	26	28	26	25
5	34	29	26	24	27	25	23	26	24	22
6	31	28	23	21	24	22	19	23	21	19
7	29	26	21	21	22	20	18	21	19	18
8	26	21	18	19	21	19	17	19	18	17
9	24	19	18	16	18	15	14	17	15	13
10	22	19	16	14	16	14	12	15	13	11

Luminaire: Formed Steel
Ballast: Valmont E232P1120601
Lamping: [2] F32T8 @2900 lumens
Mounting: Recessed

HASCO File # 101845/ITL
Prepared by: P. Marshall
Catalog number: R96P-PBL-4-232-120

Data subject to change
Please consult factory for
additional information.



CANDLE POWER SUMMARY

VERT ANGLE	0	90
0	1210	1210
10	1112	1196
20	1085	1025
30	956	974
40	650	902
45	655	884
50	572	535
60	36	273
70	6	72
80	4	2
90	1	1

ZONAL LUMEN SUMMARY

ZONE	LUMENS	%LAMP	%FIXTURE
180-90	280	4.88	11.45
90-0	2136	40.5	90.20
180-0	2423	41.2	100