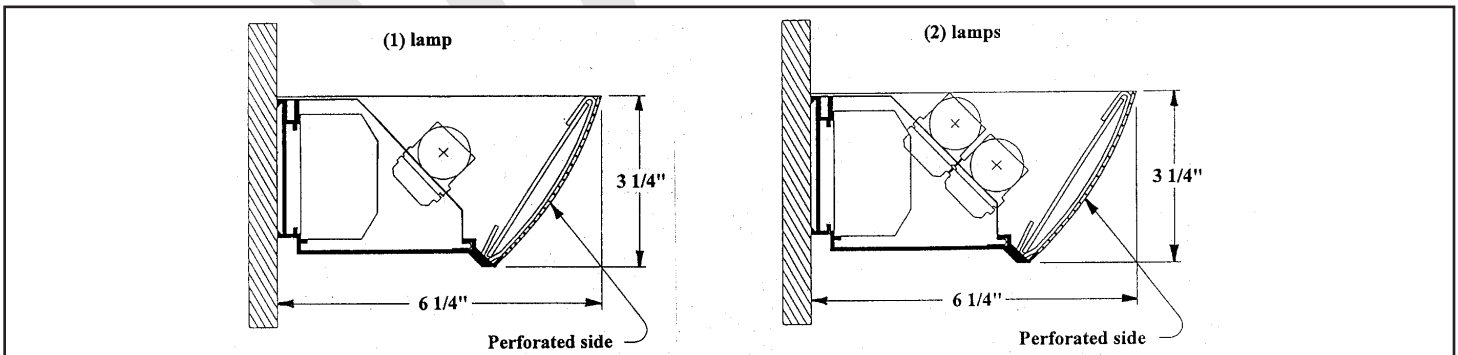
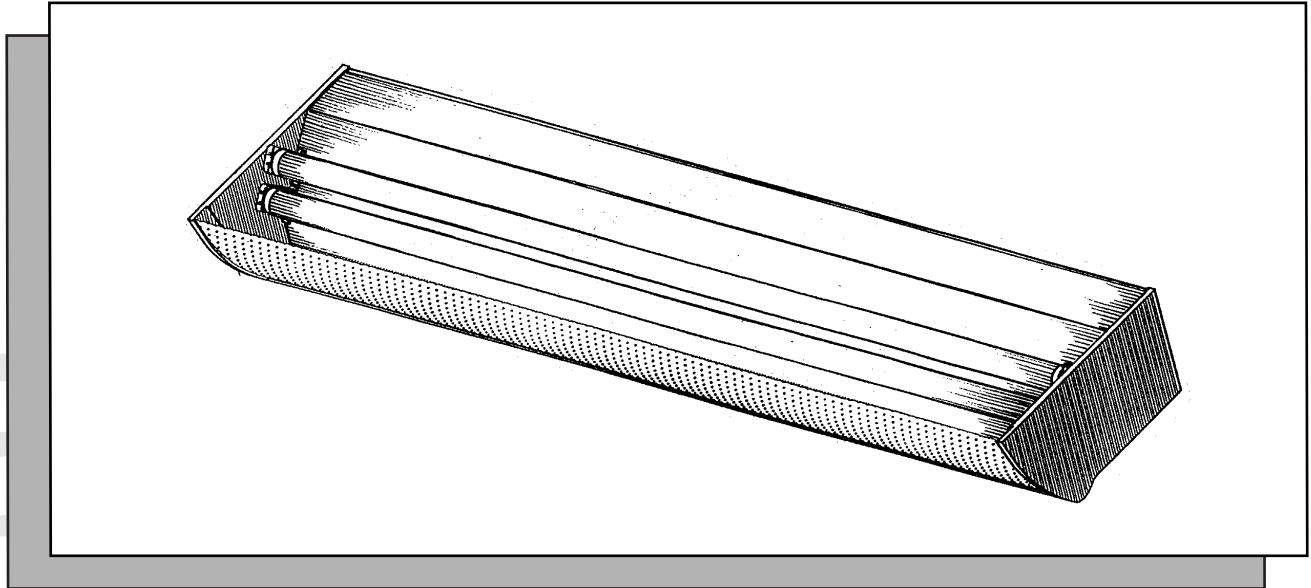
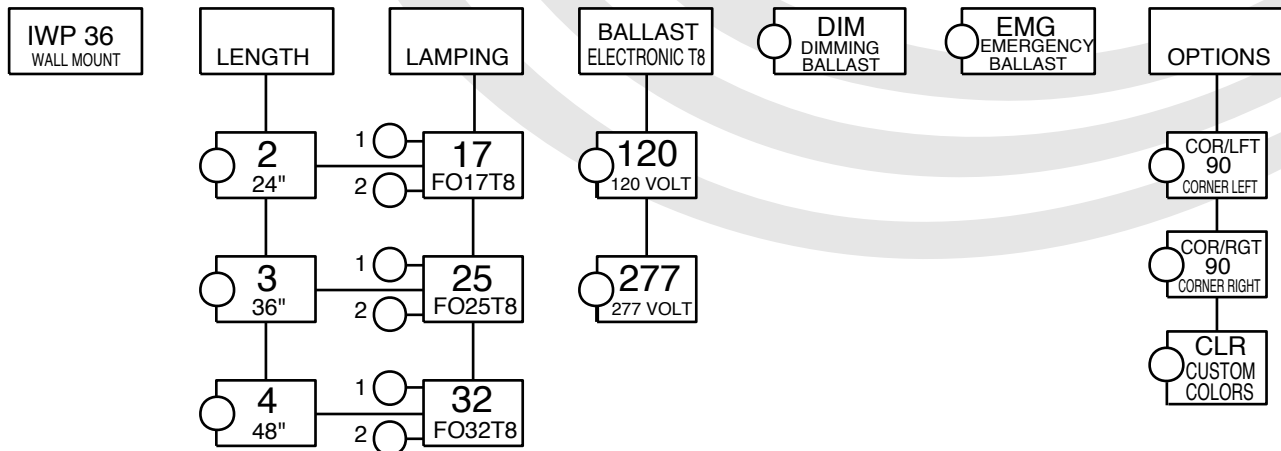


IWP 36 SERIES INDIRECT WALL PERFORATED



ORDERING DATA



Specifications

DESCRIPTION: Wall mounted upright with asymmetric distribution. Perforated front panel eases brightness transition from fixture to wall. High efficiency, high visual comfort, and attractive appearance make it ideal for architecturally significant spaces.

HOUSING: Precision formed Extruded Aluminum. The socket plates and ballast cover are easily accessible for servicing.

SHIELDING: 20 gauge perforated steel panels with opal white acrylic underlay diffuser. Perforated panels snap easily into housing and are easy to service for relamping.

BALLAST: Electronic T8, Class "P", CBM-ETL certified. Consult factory for magnetic T12 ballast

FINISH: All steel parts are treated with the HASCO "Perm-O-Last" multi-stage rust inhibitive process. Standard finish is a durable baked white enamel with a minimum reflectance of 90%. Consult factory for other colors and finishes. Fixture is post painted.

LABELING: All HASCO fixtures are U.L. approved and IBEW union made.

PHOTOMETRICS: IWP 36 SERIES

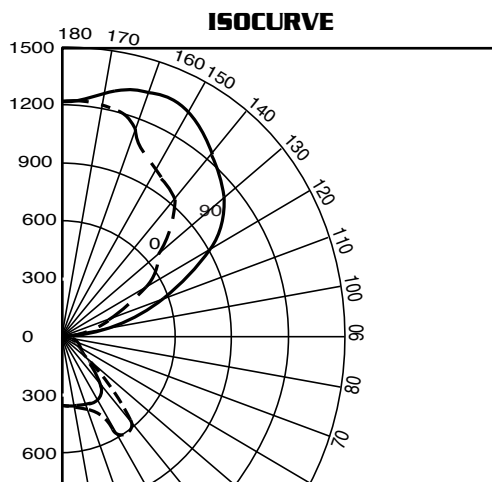
COEFFICIENTS OF UTILIZATION, ZONAL CAVITY METHOD
EFFECTIVE FLOOR CAVITY REFLECTANCE 0.20

CEILING WALL	80				50				30			
	70	50	30	10	50	30	10	50	30	10		
RCR												
0	61	61	61	61	41	41	41	30	30	30		
1	53	50	46	44	33	31	29	23	21	20		
2	47	42	43	34	27	25	22	19	17	15		
3	43	36	31	27	24	20	18	16	14	12		
4	39	32	26	22	20	17	15	14	11	9		
5	35	28	23	19	18	15	12	13	10	7		
6	32	25	19	16	16	13	10	11	8	7		
7	30	22	17	14	14	11	9	10	7	6		
8	27	20	15	12	13	10	7	9	6	5		
9	25	18	13	10	12	9	6	8	6	4		
10	24	16	12	9	11	8	6	7	5	4		

Luminaire: Extruded Aluminum
Ballast: Valmont E232P1120G01
Lamping: [2] F032T8 @2900 lumens
Mounting: Wall Mount

HASCO File # 201198
Prepared by: P. Marshall
Catalog number: IWP36-4-232-120

Data subject to change
Please consult factory for
additional information.



CANDLE POWER SUMMARY

VERT ANGLE	0	45	90
0	357	361	363
10	383	381	376
20	421	413	347
30	566	396	319
40	532	493	274
45	251	333	196
50	86	122	82
60	42	19	12
70	8	5	5
80	5	4	2
90	9	6	1
100	79	159	230
110	252	386	574
120	485	604	908
130	697	805	1108
135	802	907	1180
140	934	998	1250
150	1028	1138	1350
160	1150	1243	1365
170	1208	1295	1304
180	1221	1221	1221

ZONAL LUMEN SUMMARY

ZONE	LUMENS	%LAMP	%FIXTURE
180-90	1441	70.33	95.5
90-0	128	2.05	2.53
0-180	4279	73.2	100.0