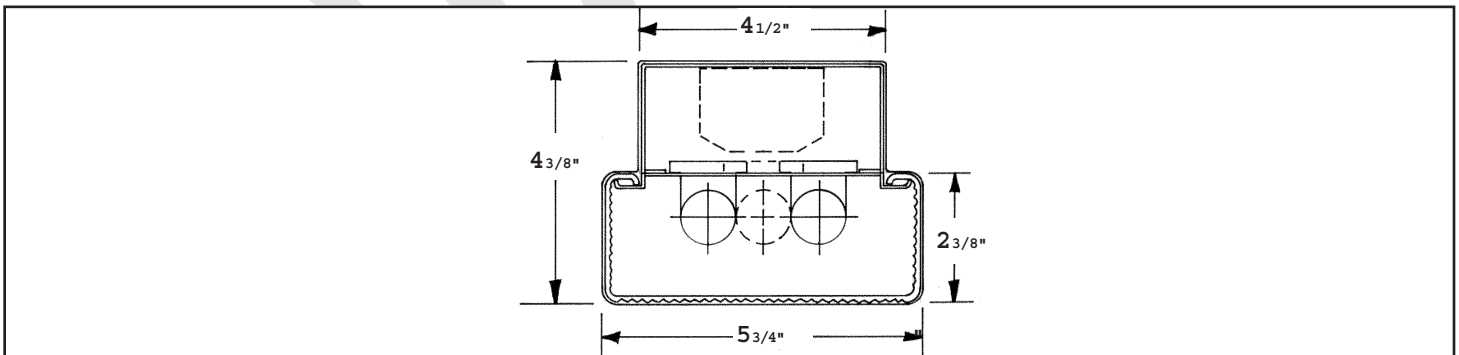
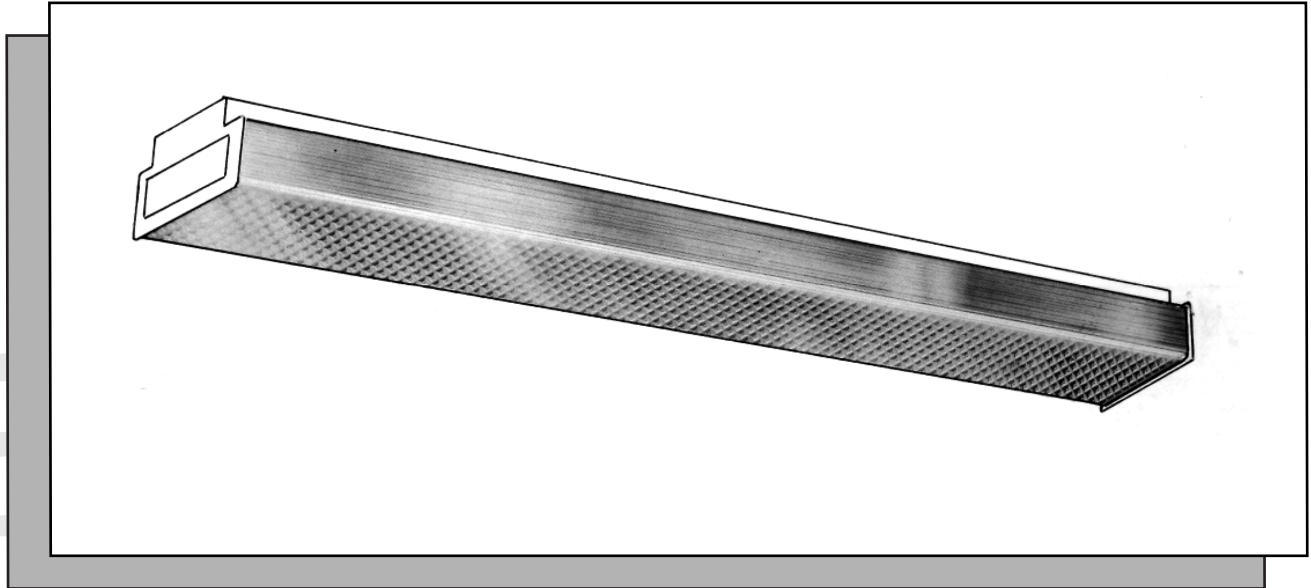
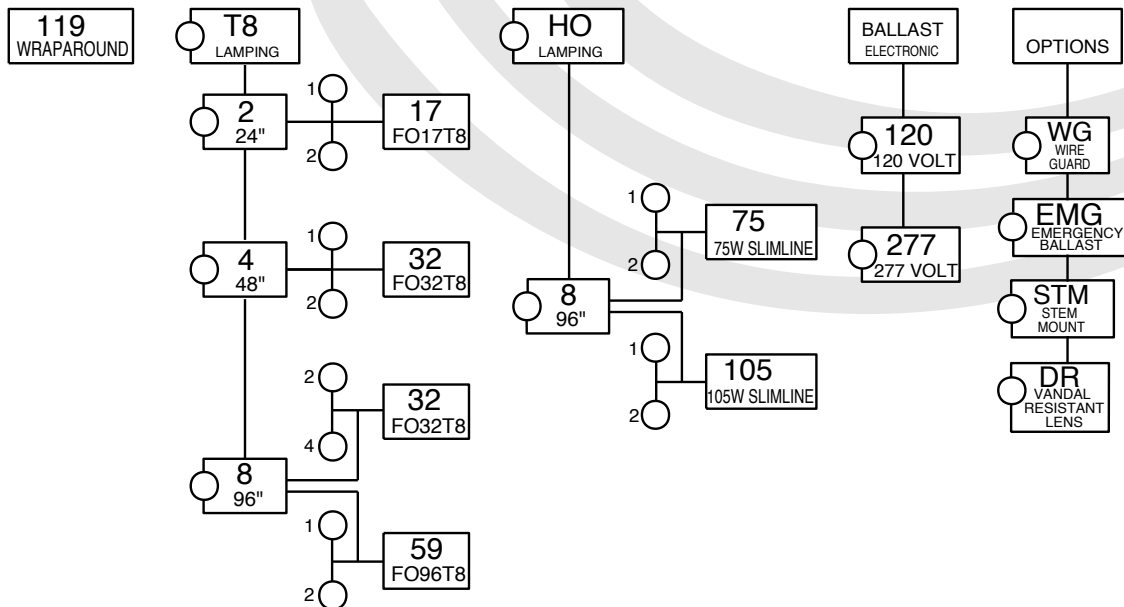


119 SERIES SURFACE PRISMATIC WRAPAROUND



ORDERING DATA



Specifications

DESCRIPTION: Versatile work horse wraparound. High efficiency, high visual comfort, and attractive appearance make it ideal for commercial, retail, educational, and institutional applications. Excellent choice for drywall ceiling or shallow plenum space where recessed fixtures cannot be used.

HOUSING: Precision die formed 20 gauge cold rolled steel. Welded construction for rigidity. The socket plates and ballast cover are easily accessible for servicing.

SHIELDING: K12 acrylic prismatic lens. Linear prisms on side walls. Easy lift and shift from either side for relamping and cleaning. Consult factory for other options not listed.

BALLAST: Electronic T8, Class "P", CBM-ETL certified. Consult factory for magnetic T12 ballast

FINISH: All steel parts are treated with the HASCO "Perm-O-Last" multi-stage rust inhibitive process. Standard finish is a durable baked white enamel with a minimum reflectance of 90%. Consult factory for other colors and finishes. Fixture is post painted.

LABELING: All HASCO fixtures are U.L. approved and IBEW union made.

PHOTOMETRICS: 119 SERIES

COEFFICIENTS OF UTILIZATION, ZONAL CAVITY METHOD
EFFECTIVE FLOOR CAVITY REFLECTANCE 0.20

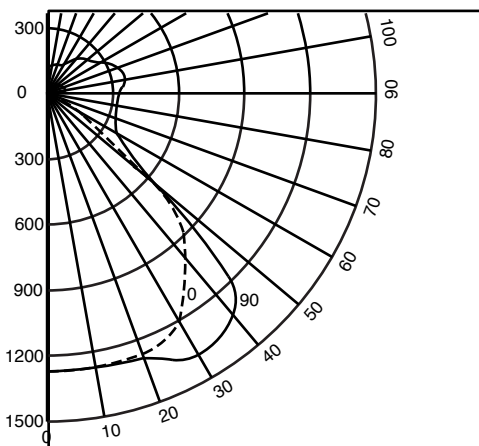
CEILING WALL RCR	80				50			30		
	70	50	30	10	50	30	10	50	30	10
0	70	70	70	70	63	63	58	59	59	59
1	65	62	59	57	56	55	53	52	50	49
2	61	56	52	49	50	47	44	47	45	42
3	55	49	45	42	45	42	39	42	39	37
4	52	46	41	37	41	37	34	39	36	34
5	47	40	35	32	37	33	30	35	31	29
6	45	37	33	29	32	31	28	33	29	29
7	41	33	28	25	31	27	24	29	25	23
8	39	31	26	21	28	24	21	27	24	21
9	35	27	23	19	25	21	18	24	20	18
10	33	26	21	18	23	19	17	23	19	18

Luminaire: Formed Steel
Ballast: Valmont E232P1120601
Lamping: [2] F032T8 @2900 lumens
Mounting: Surface

HASCO File #0321-3/87
Prepared by: P. Marshall
Catalog number: 119-232-120v

Data subject to change
Please consult factory for additional information.

ISO CURVE



CANDLE POWER SUMMARY

VERT ANGLE	0	45	90
0	1335	1335	1335
10	1322	1331	1329
20	1285	1334	1361
30	1208	1307	1396
40	1075	1255	1361
45	884	1091	1177
50	538	594	726
60	237	354	391
70	132	241	358
80	48	156	315
90	7	114	327
100	51	202	395
110	47	165	317
120	43	142	158
130	38	126	256
135	27	119	243
140	29	98	206
150	27	77	158
160	24	70	151
170	26	66	144
180	22	57	137

ZONAL LUMEN SUMMARY

ZONE	LUMENS	%LAMP	%FIXTURE
0-30	1117	18.3	22.5
0-40	1883	33.1	37.9
0-60	3271	57.8	65.9
0-90	4075	71.7	80.0