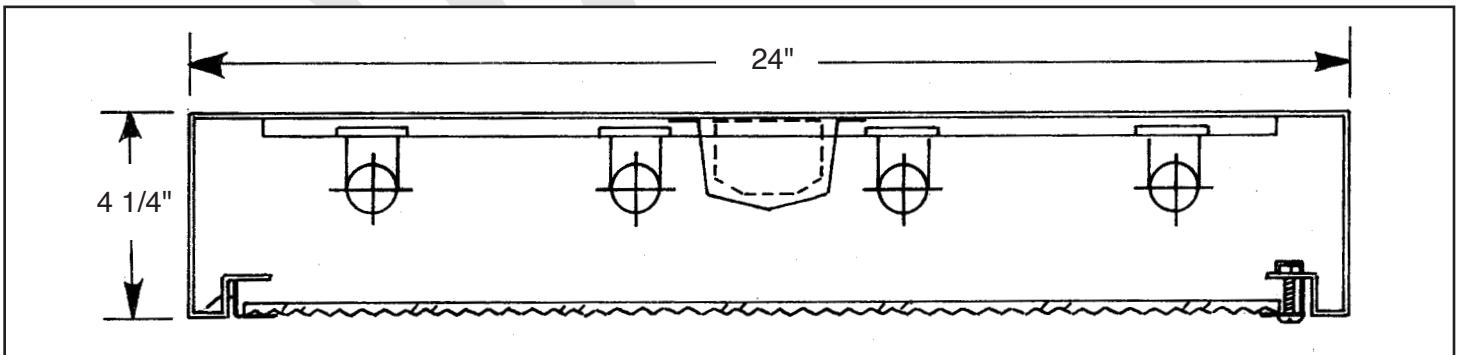
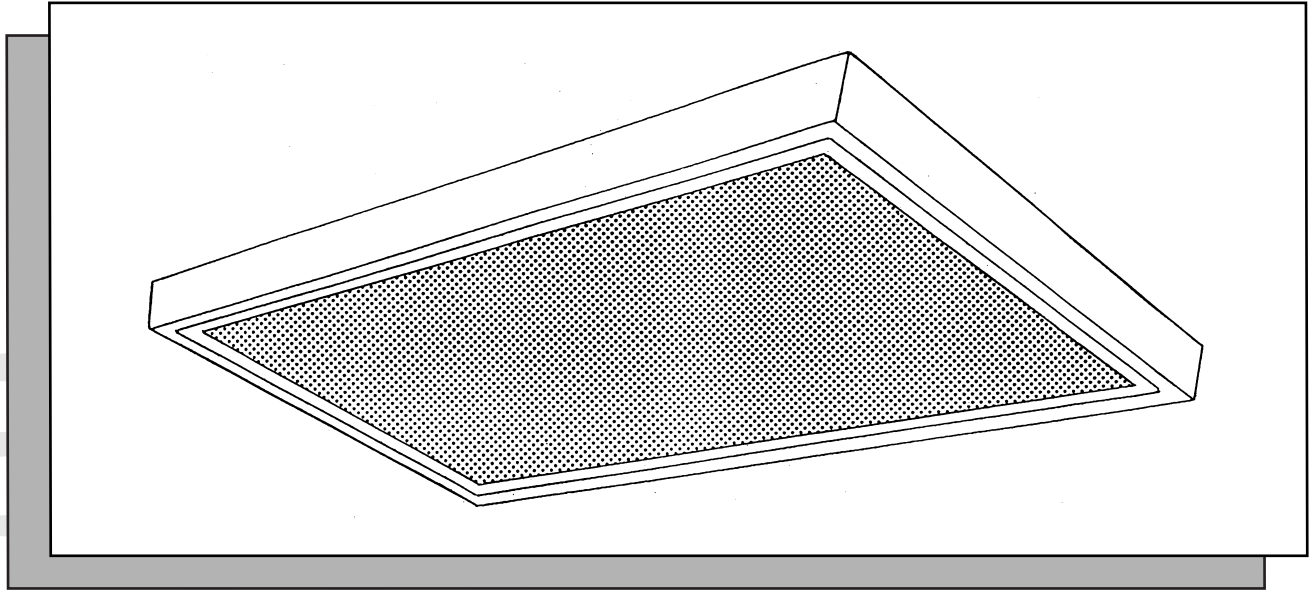
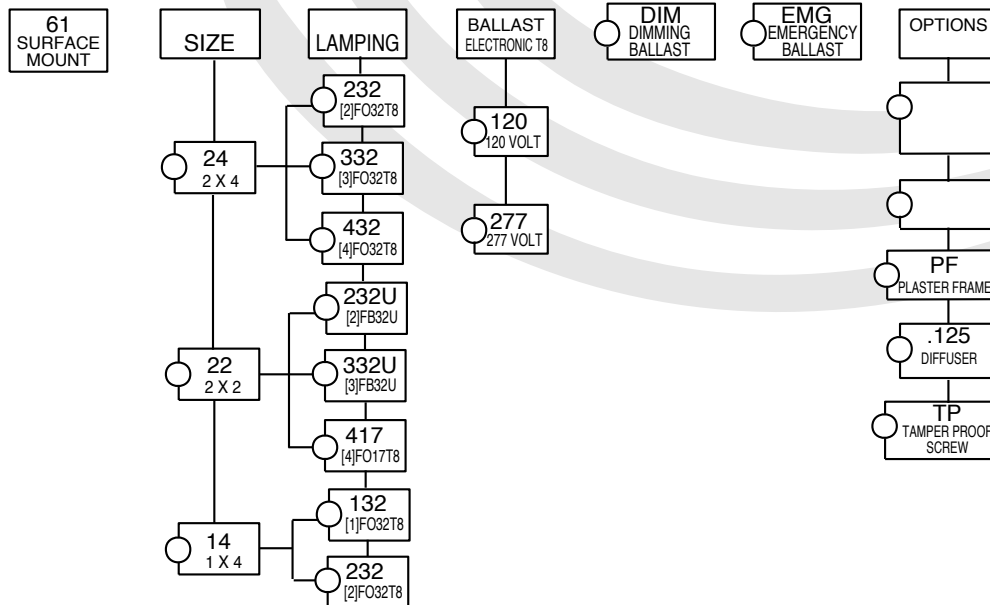


61 SERIES

SURFACE PRISMATIC



ORDERING DATA



Specifications

DESCRIPTION: Surface mount shallow luminaire for gypsum board ceilings, or suspended ceilings with little plenum space. Common applications are commercial, educational and institutional.

HOUSING: Precision die formed 20 gauge cold rolled steel. Welded construction for rigidity. The socket plates are easily accessible for servicing. The reflector ballast cover is easily removable.

SHIELDING: .125" prismatic K12 acrylic lens. Consult factory for options not listed. Light tight steel door has hidden hinge and hangs from either side for an easy tool free relamping.

BALLAST: Electronic T8, Class "P", CBM-ETL certified. Consult factory for magnetic T12 ballast

FINISH: All steel parts are treated with the HASCO "Perm-O-Last" multi-stage rust inhibitive process. Standard finish is a durable baked white enamel with a minimum reflectance of 90%. Consult factory for other colors and finishes. Fixture is post painted.

LABELING: All HASCO fixtures are U.L. approved and IBEW union made.

PHOTOMETRICS: 61 SURFACE SERIES SURFACE PRISMATIC COEFFICIENTS OF UTILIZATION, ZONAL CAVITY METHOD EFFECTIVE FLOOR CAVITY REFLECTANCE 0.20

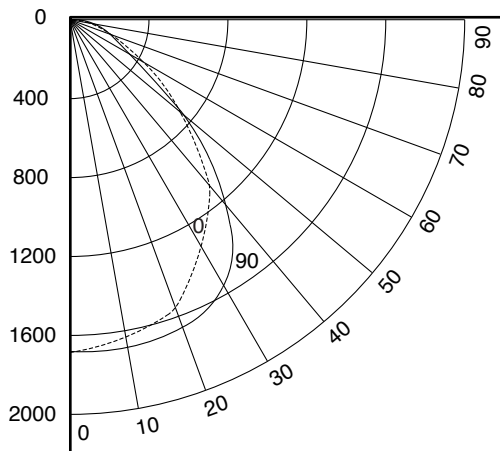
CEILING WALL RCR	80			50			30			
	70	50	30	10	50	30	10	50	30	10
0										
1	78	75	72	70	70	69	67	68	66	65
2	72	67	63	60	63	60	58	61	59	56
3	67	60	55	51	57	53	50	55	52	49
4	62	54	49	45	52	47	44	50	46	43
5	57	49	43	39	46	42	38	45	41	38
6	53	44	38	34	42	37	34	41	37	33
7	49	40	34	30	38	33	30	37	33	29
8	43	36	30	26	34	29	26	33	29	22
9	41	32	27	23	31	26	23	30	26	22
10	38	29	24	20	28	23	20	27	23	20

Luminaire: Formed Steel
Ballast: Valmont E232P1120G01
Lamping: [2] F032T8 @2900 lumens
Mounting: Surface

HASCO File #101899/ITL
Prepared by: P. Marshall
Catalog number: 61-24-232-120

Data subject to change
Please consult factory for
additional information.

ISO CURVE



CANDLE POWER SUMMARY

VERT ANGLE	0	45	90
0	1611	1611	1611
10	1621	1654	1646
20	1555	1603	1644
30	1364	1452	1482
40	1109	1175	1190
45	960	1013	1020
50	738	794	771
60	428	425	571
70	235	182	220
80	120	102	134
90	0	0	0

ZONAL LUMEN SUMMARY

ZONE	LUMENS	%LAMP	%FIXTURE
0-30	1337	23.5	33.3
0-40	2172	38.1	54.1
0-60	3477	60.1	86.7
0-90	4011	70.4	100.0
0-180	4011	70.4	100.0