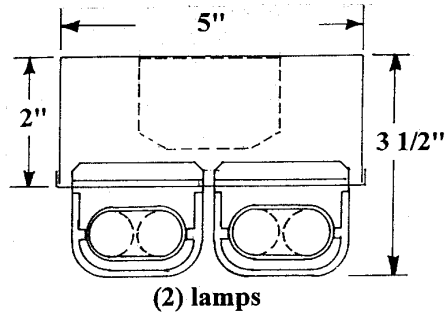
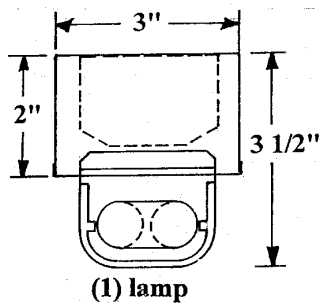
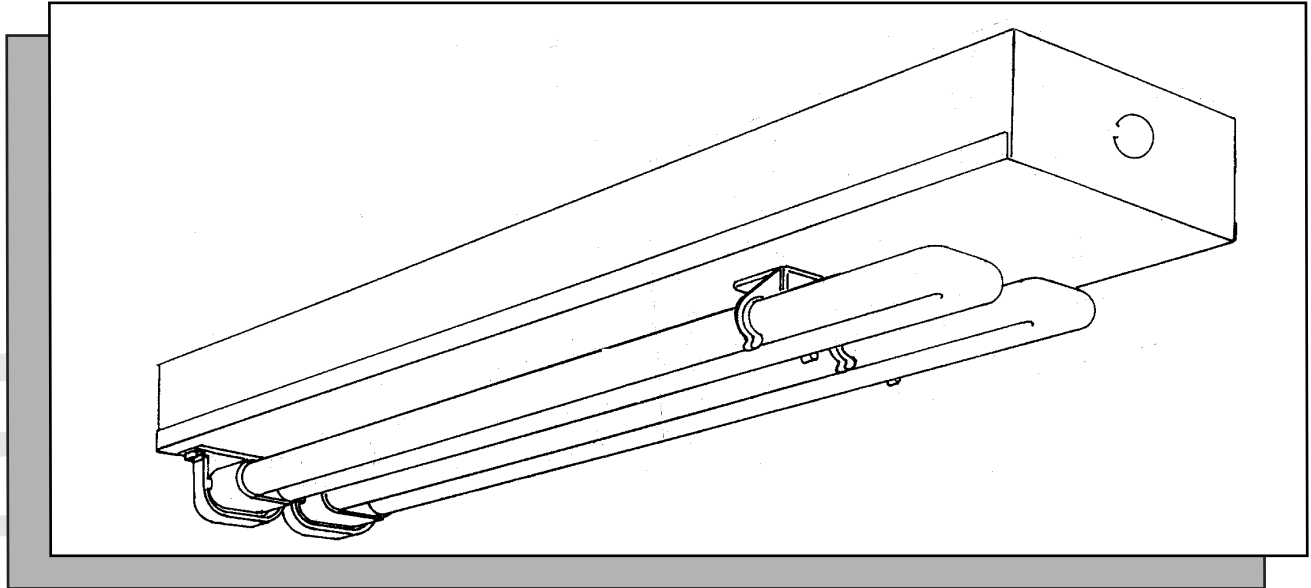
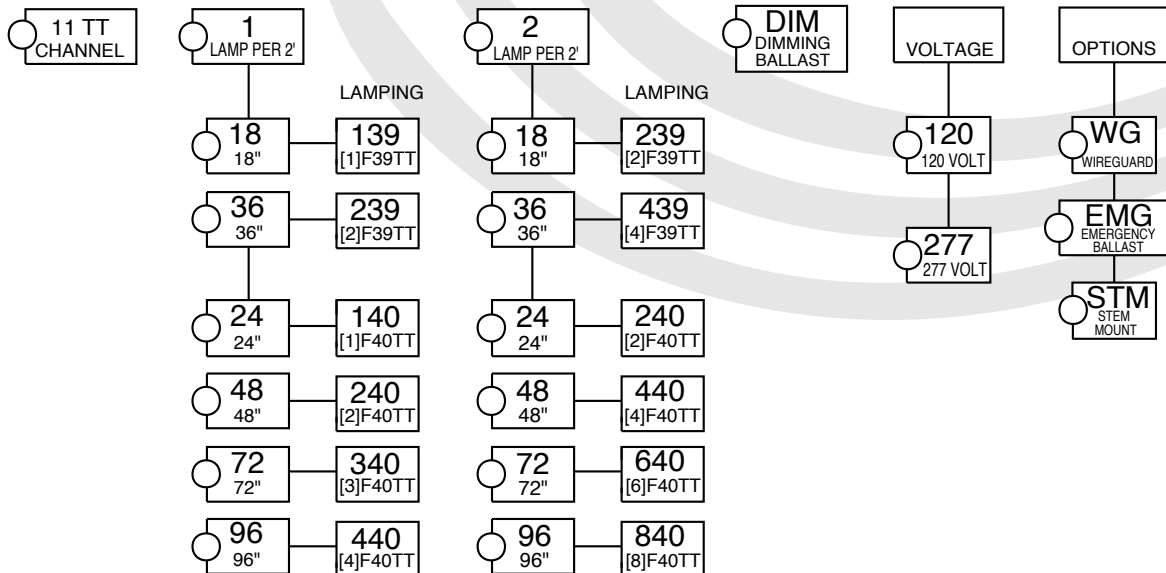


# 11 TT COMPACT SERIES



## ORDERING DATA



# Specifications

**DESCRIPTION:** Versatile, durable channel light that features T5 twin tube lamps. The twin tube lamps have high color rendering and offer twice the lumens per running foot than T8 or T12 lamps.

**HOUSING:** Precision die formed 20 gauge cold rolled steel. Welded construction for rigidity. The socket plates and ballast cover are easily accessible for servicing.

**MOUNTING:** Surface, pendant, single or continuous row mounting. Adequate knock outs provided for all feeds

**BALLAST:** Electronic T8, Class "P", CBM-ETL certified. Consult factory for magnetic T12 ballast

**FINISH:** All steel parts are treated with the HASCO "Perm-O-Last" multi-stage rust inhibitive process. Standard finish is a durable baked white enamel with a minimum reflectance of 90%. Consult factory for other colors and finishes. Fixture is post painted.

**LABELING:** All HASCO fixtures are U.L. approved and IBEW union made.

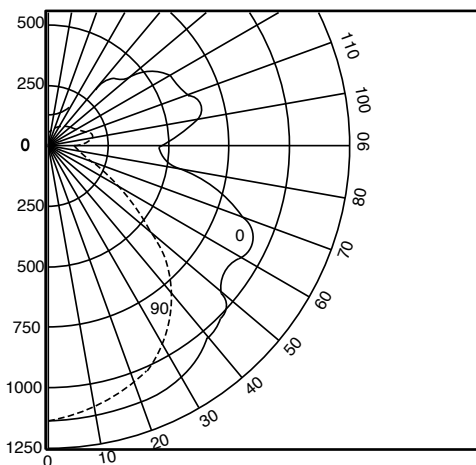
## PHOTOMETRICS: 11 TT COMPACT SERIES COEFFICIENTS OF UTILIZATION, ZONAL CAVITY METHOD EFFECTIVE FLOOR CAVITY REFLECTANCE 0.20

CEILING WALL	80				50			30			
	70	50	30	10	50	30	10	50	30	10	
RCR											
0	106	106	106	106	93	93	93	85	85	85	
1	96	89	85	80	79	75	72	72	69	67	
2	84	80	70	66	67	62	58	61	57	53	
3	77	66	58	51	58	53	46	55	52	49	
4	70	58	49	43	52	45	40	48	44	40	
5	64	52	43	36	45	38	33	38	32	29	
6	59	46	37	31	40	33	28	34	29	25	
7	54	41	34	26	36	29	24	33	26	22	
8	50	37	28	23	32	26	20	29	23	21	
9	45	32	24	18	28	19	15	26	20	19	
10	43	30	22	17	28	19	12	24	19	15	

**Data subject to change  
Please consult factory for  
additional information.**

**HASCO File #170698/ITL  
Prepared by: P. Marshall  
Catalog number:11TT-2-24-240**

**Luminaire: formed steel  
Ballast: Valmont E240P1120601  
Lamping: [2] F40TT @3125 lumens  
Mounting: Surface**



### CANDLE POWER SUMMARY

VERT ANGLE	0	45	90
0	1129	1129	1129
10	1090	1035	1134
20	1052	1025	1148
30	875	1091	1155
40	815	1005	1056
45	672	994	1023
50	513	895	964
60	341	694	920
70	185	615	825
80	49	371	555
90	71	331	480
100	143	291	625
110	115	254	638
120	109	231	585
130	81	155	456
135	68	118	331
140	37	97	301
150	36	76	207
160	35	69	152
170	35	65	116
180	33	59	109

### ZONAL LUMEN SUMMARY

ZONE	LUMENS	%LAMP	%FIXTURE
0-30	845	13.8	16.4
0-40	1436	25.0	26.5
0-60	2712	49.0	51.7
0-90	4341	76.5	80.8