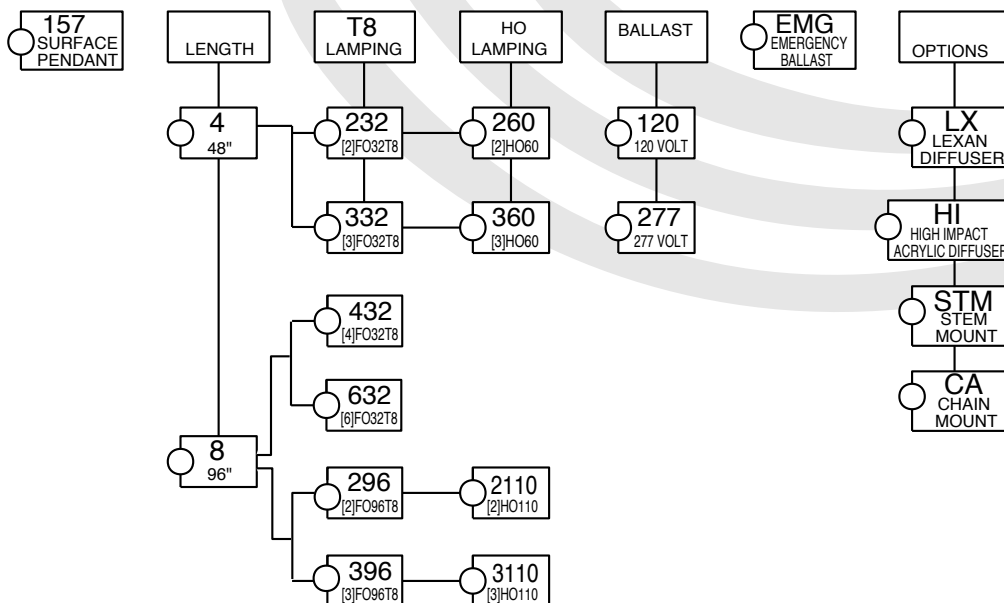


### ORDERING DATA



# Specifications

**DESCRIPTION:** Weather and dust proof luminaire make it ideal for outdoor and clean room applications.

**HOUSING:** Precision die formed 20 gauge cold rolled steel. Welded construction for rigidity. The socket plates and ballast cover are easily accessible for servicing.

**SHIELDING:** Clear optical grade acrylic seated against gasket and locked in place with 4 cam type latches. Consult factory for options not listed.

**BALLAST:** Electronic T8, Class "P", CBM-ETL certified. Consult factory for magnetic T12 ballast

**FINISH:** All steel parts are treated with the HASCO "Perm-O-Last" multi-stage rust inhibitive process. Standard finish is a durable baked white enamel with a minimum reflectance of 90%. Consult factory for other colors and finishes. Fixture is post painted.

**LABELING:** All HASCO fixtures are U.L. approved and IBEW union made.

## PHOTOMETRICS: VP 157 DUST TIGHT SERIES

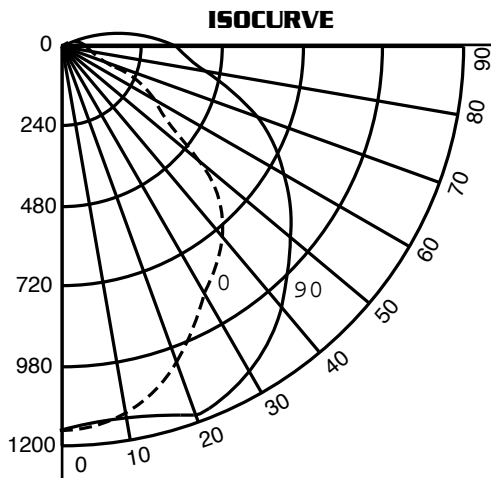
COEFFICIENTS OF UTILIZATION, ZONAL CAVITY METHOD  
EFFECTIVE FLOOR CAVITY REFLECTANCE 0.20

CEILING	80			50			10		
WALL	50	30	10	50	30	10	50	30	10
RCR									
0									
1	72	68	65	64	61	59	55	53	52
2	62	56	50	55	50	46	47	44	41
3	54	47	41	48	43	38	36	32	29
4	47	40	35	42	37	32	32	28	24
5	41	34	29	37	31	27	29	24	21
6	37	30	25	33	27	23	26	22	18
7	33	26	21	30	24	20	26	22	18
8	30	23	18	27	21	17	23	19	16
9	27	20	16	24	19	15	21	17	14
10	24	18	14	22	17	13	19	15	12

**Luminaire: Formed Steel**  
**Ballast: Valmont E232P1120G01**  
**Lamping: [2] F032T8 @2900 lumens**  
**Mounting: Surface**

**HASCO File # 60598/ITL**  
**Prepared by: P. Marshall**  
**Catalog number: 157-4-232-120**

**Data subject to change**  
**Please consult factory for**  
**additional information.**



### CANDLE POWER SUMMARY

VERT ANGLE	0	45	90
0	1125	1125	1125
10	1113	1121	1124
20	1074	1124	1155
30	997	1108	1175
40	886	1058	1144
45	736	946	1054
50	546	784	912
60	334	615	775
70	163	482	635
80	51	315	452
90	22	242	365

### ZONAL LUMEN SUMMARY

ZONE	LUMENS	%LAMP	%FIXTURE
0-30	931	14.6	19.9
0-40	1579	24.9	33.7
0-60	2975	47.1	63.2
0-90	4341	68.1	92.1